

IMRE1SSxx/12/OM



Relay Module 1CO 12VDC (SPDT)

- Relay Module For Industrial Suitability.
- Switching Current upto 10A at 230VAC (or 30VDC)
- Low Coil Drive Current (4.7 mA to 100 mA)
- Easy to replace Pluggable Relays.
- Possibility of Bussing (Jumping) relays in common negative or common positive configurations.
- LED indication to denote relay actuation.
- Relay Coil Protection by means of a Freewheeling diode.
- Mounting Options available: DIN Rail mounting & Panel mounting

GENERAL SPECIFICATION

Ambient Operating Temperature	-20 to + 50 °C
Bussing Possibility	By using spare jumpers.
Housing Colour	Green
Housing Material	PVC / V0 Grade
Mounting Possibility	DIN32 / DIN35 / DIN35-15 / PANEL
Relay Protection Method	Using 1N4007 Free Wheeling Diode
Supply Voltage Indication	3mm Red LED

ORDERING INFORMATION....

CAT. NO.	DESCRIPTION	NO. OF CHN.	DIM. DET.	STD. PACK
IMRE1S8/12/O M	1CO 8CH 12VDC Relay Module With Soldered Relay Rail Mount	8	148 X 88 X 74	1
IMRE1S16/12/ OM	1CO 16CH 12VDC Relay Module With Soldered Relay Rail Mount	16	289 X 88 X 74	1

CONNECTION SPECIFICATIONS

Type of Connection	Screw Connection
Min. Wire Size	0.5 mm ²
Max. Wire Size	2.5 mm ²
Min. Wire Size(AWG)	30 AWG
Max. Wire Size(AWG)	14 AWG
Wire Stripping Length	8.3 mm
Torque	0.5 Nm
Torque	4.5 lb-in

RELAY GENERAL SPECIFICATIONS

Relay Approvals	UL, CSA, VDE, KEMA KEUR, CE
Relay Make / Manufacturer	Omron / G2R-1
Relay Type	SPDT - 1CO

RELAY INPUT / COIL SPECIFICATIONS

Nominal Operating Voltage	12 VDC
Coil Resistance	275
Nominal Input Current	43.6 mA
Must Operate Voltage	8.4 VDC
Must Release Voltage	1.8 VDC
Maximum Operating Voltage	13.2 VDC

RELAY OUTPUT/CONTACT SPECIFICATIONS

Contact Material	AgCdO
Rated Contact Current (Resistive Load)	10 A
Load Voltage Range	380 VAC, 125 VDC
Maximum Operating Frequency	1800 Opr./Hr
Life Expectancy - Mechanical	20,000,000 operations min.
Life Expectancy Electrical	100,000 operations min.

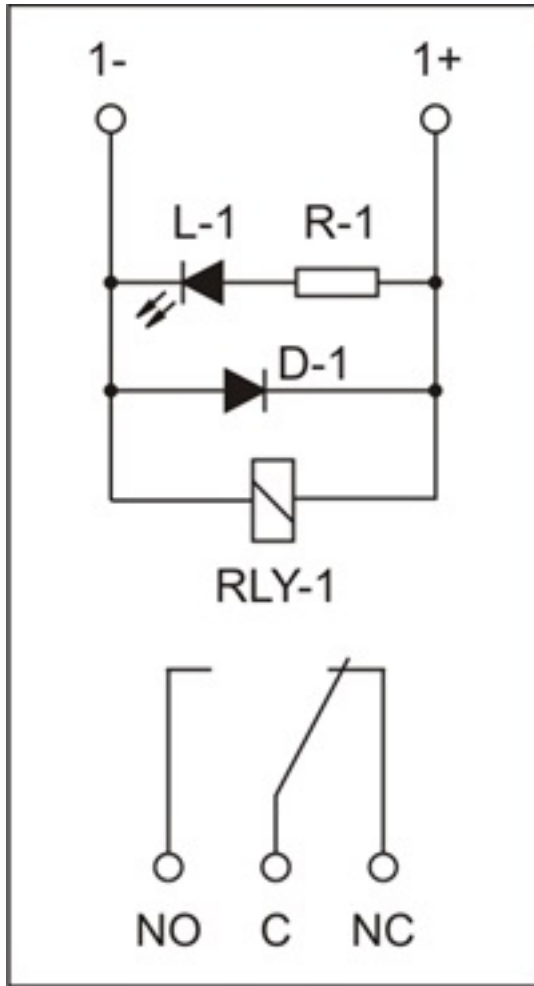
ORDERING INFORMATION

CAT. NO.	DESCRIPTION	NO. OF CHN.	DIM. DET.	STD. PACK
IMRE1SS1/12/ OM	1CO 1CH 12VDC Relay Module With Base (Pluggable Relay) Rail Mount	1	23 X 88 X 74	1
IMRE1SS2/12/ OM	1CO 2CH 12VDC Relay Module With Base (Pluggable Relay) Rail Mount	2	45 X 88 X 74	1
IMRE1SS4/12/ OM	1CO 4CH 12VDC Relay Module With Base (Pluggable Relay) Rail Mount	4	79 X 88 X 74	1
IMRE1SS8/12/ OM	1CO 8CH 12VDC Relay Module With Base (Pluggable Relay) Rail Mount	8	148 X 88 X 74	1
IMRE1SS16/12/ /OM	1CO 16CH 12VDC Relay Module With Base (Pluggable Relay) Rail Mount	16	289 X 88 X 74	1
IMRE1S1/12/O M	1CO 1CH 12VDC Relay Module With Soldered Relay Rail Mount	1	23 X 88 X 74	1
IMRE1S2/12/O M	1CO 2CH 12VDC Relay Module With Soldered Relay Rail Mount	2	45 X 88 X 74	1
IMRE1S4/12/O M	1CO 4CH 12VDC Relay Module With Soldered Relay Rail Mount	4	79 X 88 X 74	1

ACCESSORIES

IMAGES	CAT. NO.	DESCRIPTION	STD. PACK
	CA501-1M	Din 32 Rail unslotted 1 meter	50
	CA501-1M-S	Din 32 Rail slotted 1 meter	50
	CA501-2M	Din 32 Rail unslotted 2 meter	50
	CA501-2M-S	Din 32 Rail slotted 2 meter	50
	CA701-1M	Din 35 Rail unslotted 1 meter	50
	CA701-2M	Din 35 Rail unslotted 2 meter	50
	CA701-2M-S	Din 35 Rail slotted 2 meter	50
	CA701-1M-S	Din 35 Rail slotted 1 meter	50
	CA701-15-1M	Din 35 Rail 15 deep unslotted 1 meter	50
	CA701-15-1M-S	Din 35 Rail 15 deep slotted 1 meter	50
	CA701-15-2M	Din 35 Rail 15 deep unslotted 2 meter	50
	CA701-15-2M-S	Din 35 Rail 15 deep slotted 2 meter	50
	CA509/K2	Marking Tag Blank suitable for CDL4U / CDL4U(I.S) / CTL2.5U / CTL2.5UH / CTL2.5UL / CTL2.5HUL / CTL2.5U(I.S) / CTL2.5U(I.S)D2 / CGMT4 / CSFL4U / CSFL4U(L) / CMT4 / CMB4 / ASF4 / ASF4(L) / CTS2.5(100
	SCS0.5/3	Electricians Screwdriver for slotted screws	10
	IMACC/G2R1-12DC	RELAY 1CO 12VDC	10

CIRCUIT DIAGRAM



NOTES

- * Module Lengths mentioned are for RAIL Mounting option only. The lengths may vary for PANEL Mounting.
- ** PANEL Mounting relay modules are available on request. Please use the suffix -P with the cat. no. for ordering.
- ***Module with Other Coil Voltage like 6 VDC, 48 VDC, 24 VAC etc. are available on request.
- **** Module with only 1 NO (SPST) contacts are available on request.

IMRE2SSxx/12/OM



Relay Module 2CO 12VDC (DPDT)

- Relay Module For Industrial Suitability.
- Switching Current upto 5A at 230VAC (or 30VDC)
- Low Coil Drive Current (4.7 mA to 100 mA)
- Easy to replace Pluggable Relays.
- Possibility of Bussing (Jumping) relays in common negative or common positive configurations.
- LED indication to denote relay actuation.
- Relay Coil Protection by means of a Freewheeling diode.
- Mounting Options available: DIN Rail mounting & Panel mounting

GENERAL SPECIFICATION

Ambient Operating Temperature	-20to+50 °C
Bussing Possibility	By using spare jumpers.
Housing Colour	Green
Housing Material	PVC / V0 Grade
Mounting Possibility	DIN32 / DIN35 / DIN35-15 / PANEL
Relay on Indication	3mm Red LED
Relay Protection Method	Using 1N4007 Free Wheeling Diode

ORDERING INFORMATION....

CAT. NO.	DESCRIPTION	NO. OF CHN.	DIM. DET.	STD. PACK
IMRE2S8/12/O M	2CO 8CH 12VDC Relay Module With Soldered Relay Rail Mount	8	193 X 88 X 74	1
IMRE2S16/12/ OM	2CO 16CH 12VDC Relay Module With Soldered Relay Rail Mount	16	377 X 88 X 74	1

CONNECTION SPECIFICATIONS

Type of Connection	Screw Connection
Min. Wire Size	0.5 mm ²
Max. Wire Size	2.5 mm ²
Min. Wire Size(AWG)	30 AWG
Max. Wire Size(AWG)	14 AWG
Wire Stripping Length	8.3 mm
Torque	0.5 Nm
Torque	4.5 lb-in

RELAY GENERAL SPECIFICATIONS

Relay Approvals	UL,CSA,KEMA KEUR,VDE,CE
Relay Make / Manufacturer	OMRON/G2R-2
Relay Type	DPDT-2CO

RELAY INPUT / COIL SPECIFICATIONS

Nominal Operating Voltage	12 VDC
Coil Resistance	275
Nominal Input Current	43.6 mA
Must Operate Voltage	8.4 VDC
Must Release Voltage	1.8 VDC
Maximum Operating Voltage	13.2 VDC

RELAY OUTPUT/CONTACT SPECIFICATIONS

Contact Material	AgCdO
Rated Contact Current (Resistive Load)	5 A
Load Voltage Range	380 VAC, 125 VDC
Maximum Operating Frequency	1800 Opr./Hr
Life Expectancy - Mechanical	20,000,000 operations min.
Life Expectancy Electrical	100,000 operations min.

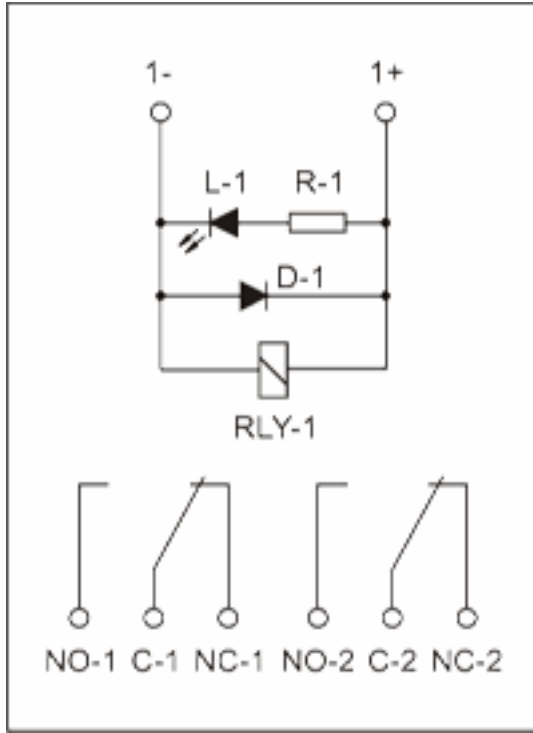
ORDERING INFORMATION

CAT. NO.	DESCRIPTION	NO. OF CHN.	DIM. DET.	STD. PACK
IMRE2SS1/12/ OM	2CO 1CH 12VDC Relay Module With Base (Pluggable Relay) Rail Mount	1	31 X 88 X 74	1
IMRE2SS2/12/ OM	2CO 2CH 12VDC Relay Module With Base (Pluggable Relay) Rail Mount	2	55 X 88 X 74	1
IMRE2SS4/12/ OM	2CO 4CH 12VDC Relay Module With Base (Pluggable Relay) Rail Mount	4	100 X 88 X 74	1
IMRE2SS8/12/ OM	2CO 8CH 12VDC Relay Module With Base (Pluggable Relay) Rail Mount	8	193 X 88 X 74	1
IMRE2SS16/12/ /OM	2CO 16CH 12VDC Relay Module With Base (Pluggable Relay) Rail Mount	16	377 X 88 X 74	1
IMRE2S1/12/O M	2CO 1CH 12VDC Relay Module With Soldered Relay Rail Mount	1	31 X 88 X 74	1
IMRE2S2/12/O M	2CO 2CH 12VDC Relay Module With Soldered Relay Rail Mount	2	55 X 88 X 74	1
IMRE2S4/12/O M	2CO 4CH 12VDC Relay Module With Soldered Relay Rail Mount	4	100 X 88 X 74	1

ACCESSORIES

IMAGES	CAT. NO.	DESCRIPTION	STD. PACK
	CA501-1M	Din 32 Rail unslotted 1 meter	50
	CA501-1M-S	Din 32 Rail slotted 1 meter	50
	CA501-2M	Din 32 Rail unslotted 2 meter	50
	CA501-2M-S	Din 32 Rail slotted 2 meter	50
	CA701-1M	Din 35 Rail unslotted 1 meter	50
	CA701-2M	Din 35 Rail unslotted 2 meter	50
	CA701-2M-S	Din 35 Rail slotted 2 meter	50
	CA701-1M-S	Din 35 Rail slotted 1 meter	50
	CA701-15-1M	Din 35 Rail 15 deep unslotted 1 meter	50
	CA701-15-1M-S	Din 35 Rail 15 deep slotted 1 meter	50
	CA701-15-2M	Din 35 Rail 15 deep unslotted 2 meter	50
	CA701-15-2M-S	Din 35 Rail 15 deep slotted 2 meter	50
	CA509/K2	Marking Tag Blank suitable for CDL4U / CDL4U(I.S) / CTL2.5U / CTL2.5UH / CTL2.5U(L) / CTL2.5U(L.S)D2 / CGMT4 / CSFL4U / CSFL4U(L) / CMT4 / CMB4 / ASF4 / ASF4(L) / CTS2.5(100
	SCS0.5/3	Electricians Screwdriver for slotted screws	10
	IMACC/G2R2-12DC	RELAY 2CO 12DC	10

CIRCUIT DIAGRAM



NOTES

- * Module Lengths mentioned are for RAIL Mounting option only. The lengths may vary for PANEL Mounting.
- ** PANEL Mounting relay modules are available on request. Please use the suffix -P with the cat. no. for ordering.
- *** Module with Other Coil Voltage like 6 VDC, 48 VDC, 24 VAC etc. are available on request.
- **** Module with only 2 NO (DPST) contacts are available on request.

IMRE1SSxx/24/OM



Relay Module 1CO 24VDC (SPDT)

- Relay Module For Industrial Suitability.
- Switching Current upto 10A at 230VAC (or 30VDC)
- Low Coil Drive Current (4.7 mA to 100 mA)
- Easy to replace Pluggable Relays.
- Possibility of Bussing (Jumping) relays in common negative or common positive configurations.
- LED indication to denote relay actuation.
- Relay Coil Protection by means of a Freewheeling diode.
- Mounting Options available: DIN Rail mounting & Panel mounting

GENERAL SPECIFICATION

Ambient Operating Temperature	-20 to 50 °C
Bussing Possibility	By using spare jumpers.
Housing Colour	Green
Housing Material	PVC / V0 Grade
Mounting Possibility	DIN32 / DIN35 / DIN35-15 / PANEL
Relay Protection Method	Using 1N4007 Free Wheeling Diode
Supply Voltage Indication	3mm Red LED

ORDERING INFORMATION....

CAT. NO.	DESCRIPTION	NO. OF CHN.	DIM. DET.	STD. PACK
IMRE1S8/24/O M	1CO 8CH 24VDC Relay Module With Soldered Relay Rail Mount	8	148 X 88 X 74	1
IMRE1S16/24/ OM	1CO 16CH 24VDC Relay Module With Soldered Relay Rail Mount	16	289 X 88 X 74	1

CONNECTION SPECIFICATIONS

Type of Connection	Screw Connection
Min. Wire Size	0.5 mm ²
Max. Wire Size	2.5 mm ²
Min. Wire Size(AWG)	30 AWG
Max. Wire Size(AWG)	14 AWG
Wire Stripping Length	8.3 mm
Torque	0.5 Nm
Torque	4.5 lb-in

ACCESSORIES

IMAGES	CAT. NO.	DESCRIPTION	STD. PACK
	CA501-1M	Din 32 Rail unslotted 1 meter	50
	CA501-1M-S	Din 32 Rail slotted 1 meter	50
	CA501-2M	Din 32 Rail unslotted 2 meter	50
	CA501-2M-S	Din 32 Rail slotted 2 meter	50
	CA701-1M	Din 35 Rail unslotted 1 meter	50
	CA701-2M	Din 35 Rail unslotted 2 meter	50
	CA701-2M-S	Din 35 Rail slotted 2 meter	50
	CA701-1M-S	Din 35 Rail slotted 1 meter	50
	CA701-15-1M	Din 35 Rail 15 deep unslotted 1 meter	50
	CA701-15-1M-S	Din 35 Rail 15 deep slotted 1 meter	50
	CA701-15-2M	Din 35 Rail 15 deep unslotted 2 meter	50
	CA701-15-2M-S	Din 35 Rail 15 deep slotted 2 meter	50
	CA509/K2	Marking Tag Blank suitable for CDL4U / CDL4U(I.S) / CTL2.5U / CTL2.5UH / CTL2.5UL / CTL2.5HUL / CTL2.5U(I.S) / CTL2.5U(I.S)D2 / CGMT4 / CSFL4U / CSFL4U(L) / CMT4 / CMB4 / ASF4 / ASF4(L) / CTS2.5()	100
	SCS0.5/3	Electricians Screwdriver for slotted screws	10
	IMACC/G2R1/24DC	RELAY 1CO 24VDC	10

RELAY GENERAL SPECIFICATIONS

Relay Approvals	UL, CSA, VDE, KEMA KEUR, CE
Relay Make / Manufacturer	Omron / G2R-1
Relay Type	SPDT - 1CO

RELAY INPUT / COIL SPECIFICATIONS

Nominal Operating Voltage	24 VDC
Coil Resistance	1100
Nominal Input Current	21.8 mA
Must Operate Voltage	16.8 VDC
Must Release Voltage	3.6 VDC
Maximum Operating Voltage	26.4 VDC

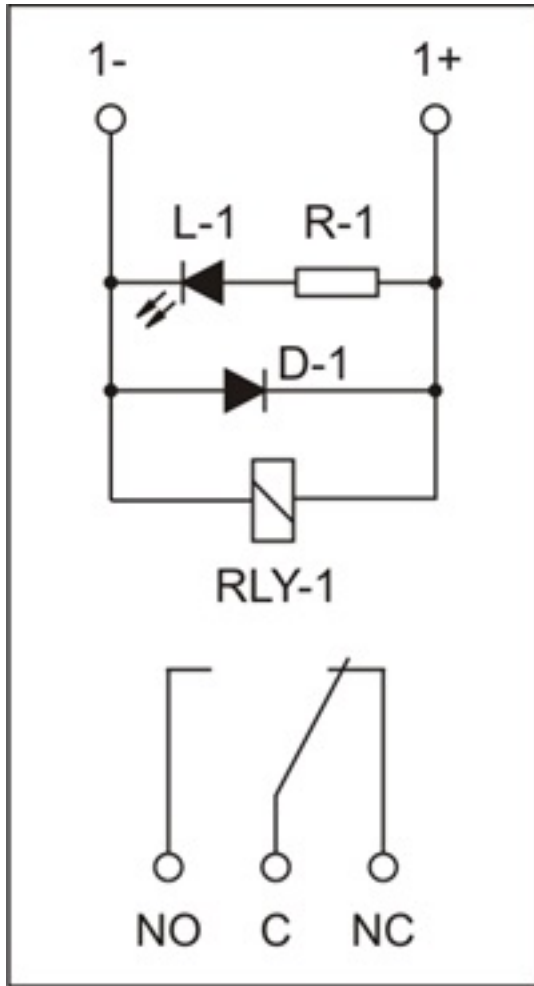
RELAY OUTPUT/CONTACT SPECIFICATIONS

Contact Material	AgCdO
Rated Contact Current (Resistive Load)	10 A
Load Voltage Range	380 VAC, 125 VDC
Maximum Operating Frequency	1800 Opr./Hr
Life Expectancy - Mechanical	20,000,000 operations min.
Life Expectancy Electrical	100,000 operations min.

ORDERING INFORMATION

CAT. NO.	DESCRIPTION	NO. OF CHN.	DIM. DET.	STD. PACK
IMRE1SS1/24/ OM	1CO 1CH 24VDC Relay Module With Base (Pluggable Relay) Rail Mount	1	23 X 88 X 74	1
IMRE1SS2/24/ OM	1CO 2CH 24VDC Relay Module With Base (Pluggable Relay) Rail Mount	2	45 X 88 X 74	1
IMRE1SS4/24/ OM	1CO 4CH 24VDC Relay Module With Base (Pluggable Relay) Rail Mount	4	79 X 88 X 74	1
IMRE1SS8/24/ OM	1CO 8CH 24VDC Relay Module With Base (Pluggable Relay) Rail Mount	8	148 X 88 X 74	1
IMRE1SS16/24 /OM	1CO 16CH 24VDC Relay Module With Base (Pluggable Relay) Rail Mount	16	289 X 88 X 74	1
IMRE1S1/24/O M	1CO 1CH 24VDC Relay Module With Soldered Relay Rail Mount	1	23 X 88 X 74	1
IMRE1S2/24/O M	1CO 2CH 24VDC Relay Module With Soldered Relay Rail Mount	2	45 X 88 X 74	1
IMRE1S4/24/O M	1CO 4CH 24VDC Relay Module With Soldered Relay Rail Mount	4	79 X 88 X 74	1

CIRCUIT DIAGRAM



NOTES

- * Module Lengths mentioned are for RAIL Mounting option only. The lengths may vary for PANEL Mounting.
- ** PANEL Mounting relay modules are available on request. Please use the suffix -P with the cat. no. for ordering.
- ***Module with Other Coil Voltage like 6 VDC, 48 VDC, 24 VAC etc. are available on request.
- **** Module with only 1 NO (SPST) contacts are available on request.

IMRE2SSxx/24/OM



Relay Module 2CO 24VDC (DPDT)

- Relay Module For Industrial Suitability.
- Switching Current upto 5A at 230VAC (or 30VDC)
- Low Coil Drive Current (4.7 mA to 100 mA)
- Easy to replace Pluggable Relays.
- Possibility of Bussing (Jumping) relays in common negative or common positive configurations.
- LED indication to denote relay actuation.
- Relay Coil Protection by means of a Freewheeling diode.
- Mounting Options available: DIN Rail mounting & Panel mounting

GENERAL SPECIFICATION

Ambient Operating Temperature	-20to+50 °C
Bussing Possibility	By using spare jumpers.
Housing Colour	Green
Housing Material	PVC / V0 Grade
Mounting Possibility	DIN32 / DIN35 / DIN35-15 / PANEL
Relay on Indication	3mm Red LED
Relay Protection Method	Using 1N4007 Free Wheeling Diode

ORDERING INFORMATION....

CAT. NO.	DESCRIPTION	NO. OF CHN.	DIM. DET.	STD. PACK
IMRE2S8/24/OM	2CO 8CH 24VDC Relay Module With Soldered Relay Rail Mount	8	193 X 88 X 74	1
IMRE2S16/24/OM	2CO 16CH 24VDC Relay Module With Soldered Relay Rail Mount	16	377 X 88 X 74	1

CONNECTION SPECIFICATIONS

Type of Connection	Screw Connection
Min. Wire Size	0.5 mm ²
Max. Wire Size	2.5 mm ²
Min. Wire Size(AWG)	30 AWG
Max. Wire Size(AWG)	14 AWG
Wire Stripping Length	8.3 mm
Torque	0.5 Nm
Torque	4.5 lb-in

RELAY GENERAL SPECIFICATIONS

Relay Approvals	UL,CSA,KEMA KEUR,VDE,CE
Relay Make / Manufacturer	OMRON/G2R-2
Relay Type	DPDT-2CO

RELAY INPUT / COIL SPECIFICATIONS

Nominal Operating Voltage	24 VDC
Coil Resistance	1100
Nominal Input Current	21.8 mA
Must Operate Voltage	16.8 VDC
Must Release Voltage	3.6 VDC
Maximum Operating Voltage	26.4 VDC

RELAY OUTPUT/CONTACT SPECIFICATIONS

Contact Material	AgCdO
Rated Contact Current (Resistive Load)	5 A
Load Voltage Range	380 VAC, 125 VDC
Maximum Operating Frequency	1800 Opr./Hr
Life Expectancy - Mechanical	20,000,000 operations min.
Life Expectancy Electrical	100,000 operations min.

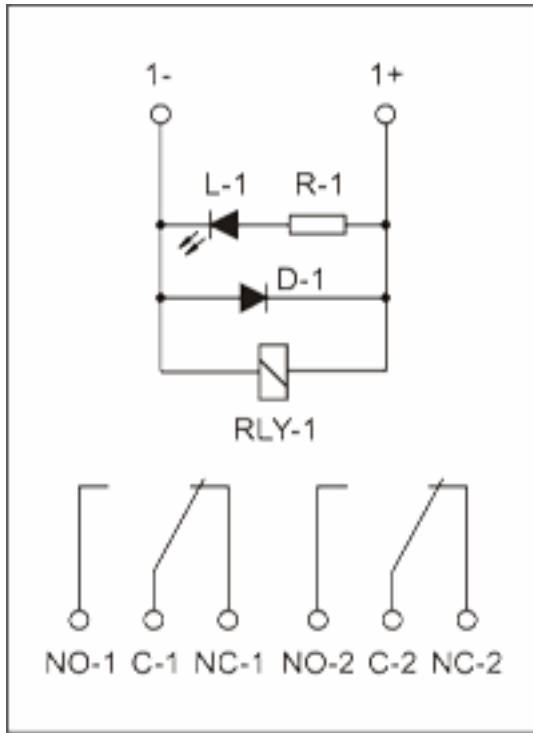
ORDERING INFORMATION

CAT. NO.	DESCRIPTION	NO. OF CHN.	DIM. DET.	STD. PACK
IMRE2SS1/12/OM	2CO 1CH 24VDC Relay Module With Base (Pluggable Relay) Rail Mount	1	31 X 88 X 74	1
IMRE2SS2/24/OM	2CO 2CH 24VDC Relay Module With Base (Pluggable Relay) Rail Mount	2	55 X 88 X 74	1
IMRE2SS4/24/OM	2CO 4CH 24VDC Relay Module With Base (Pluggable Relay) Rail Mount	4	100 X 88 X 74	1
IMRE2SS8/24/OM	2CO 8CH 24VDC Relay Module With Base (Pluggable Relay) Rail Mount	8	193 X 88 X 74	1
IMRE2SS16/24/OM	2CO 16CH 24VDC Relay Module With Base (Pluggable Relay) Rail Mount	16	377 X 88 X 74	1
IMRE2S1/24/OM	2CO 1CH 24VDC Relay Module With Soldered Relay Rail Mount	1	31 X 88 X 74	1
IMRE2S2/24/OM	2CO 2CH 24VDC Relay Module With Soldered Relay Rail Mount	2	55 X 88 X 74	1
IMRE2S4/24/OM	2CO 4CH 24VDC Relay Module With Soldered Relay Rail Mount	4	100 X 88 X 74	1

ACCESSORIES

IMAGES	CAT. NO.	DESCRIPTION	STD. PACK
	CA501-1M	Din 32 Rail unslotted 1 meter	50
	CA501-1M-S	Din 32 Rail slotted 1 meter	50
	CA501-2M	Din 32 Rail unslotted 2 meter	50
	CA501-2M-S	Din 32 Rail slotted 2 meter	50
	CA701-1M	Din 35 Rail unslotted 1 meter	50
	CA701-2M	Din 35 Rail unslotted 2 meter	50
	CA701-2M-S	Din 35 Rail slotted 2 meter	50
	CA701-1M-S	Din 35 Rail slotted 1 meter	50
	CA701-15-1M	Din 35 Rail 15 deep unslotted 1 meter	50
	CA701-15-1M-S	Din 35 Rail 15 deep slotted 1 meter	50
	CA701-15-2M	Din 35 Rail 15 deep unslotted 2 meter	50
	CA701-15-2M-S	Din 35 Rail 15 deep slotted 2 meter	50
	CA509/K2	Marking Tag Blank suitable for CDL4U / CDL4U(I.S) / CTL2.5U / CTL2.5UH / CTL2.5U(L) / CTL2.5HUL / CTL2.5U(I.S)D2 / CGMT4 / CSFL4U / CSFL4U(L) / CMT4 / CMB4 / ASF4 / ASF4(L) / CTS2.5	100
	SCS0.5/3	Electricians Screwdriver for slotted screws	10
	IMACC/G2R2-24DC	RELAY 2CO 24DC	10

CIRCUIT DIAGRAM



NOTES

- * Module Lengths mentioned are for RAIL Mounting option only. The lengths may vary for PANEL Mounting.
- ** PANEL Mounting relay modules are available on request. Please use the suffix -P with the cat. no. for ordering.
- *** Module with Other Coil Voltage like 6 VDC, 48 VDC, 24 VAC etc. are available on request.
- **** Module with only 2 NO (DPST) contacts are available on request.

IMRE4SSxx/24/OM



Relay Module 4CO 24VDC (4PDT)

- Relay Module For Industrial Suitability.
- Switching Current upto 5A at 230VAC (or 30VDC)
- Low Coil Drive Current (4.7 mA to 100 mA)
- Easy to replace Pluggable Relays.
- Possibility of Bussing (Jumping) relays in common negative or common positive configurations.
- LED indication to denote relay actuation.
- Relay Coil Protection by means of a Freewheeling diode.
- Mounting Options available: DIN Rail mounting & Panel mounting

GENERAL SPECIFICATION

Ambient Operating Temperature	-20to+50 °C
Bussing Possibility	By using spare jumpers.
Housing Colour	Green
Housing Material	PVC / V0 Grade
Mounting Possibility	DIN32 / DIN35 / DIN35-15 / PANEL
Relay on Indication	3mm Red LED
Relay Protection Method	Using 1N4007 Free Wheeling Diode

CONNECTION SPECIFICATIONS

Type of Connection	Screw Connection
Min. Wire Size	0.5 mm ²
Max. Wire Size	2.5 mm ²
Min. Wire Size(AWG)	30 AWG
Max. Wire Size(AWG)	14 AWG
Wire Stripping Length	8.3 mm
Torque	0.5 Nm
Torque	4.5 lb-in

RELAY GENERAL SPECIFICATIONS

Relay Approvals	UL, CSA, VDE, KEMA KEUR, CE
Relay Make / Manufacturer	Omron / MY4
Relay Type	4PDT - 4CO

RELAY INPUT / COIL SPECIFICATIONS

Nominal Operating Voltage	24 VDC
Coil Resistance	275
Nominal Input Current	43.6 mA
Must Operate Voltage	19.2 VDC
Must Release Voltage	2.4 VDC
Maximum Operating Voltage	26.4 VDC

RELAY OUTPUT/CONTACT SPECIFICATIONS

Contact Material	AgCdO
Rated Contact Current (Resistive Load)	5 A
Load Voltage Range	250 VAC, 125 VDC
Maximum Operating Frequency	1800 Opr./Hr
Life Expectancy - Mechanical	20,000,000 operations min.
Life Expectancy Electrical	100,000 operations min.

ORDERING INFORMATION

CAT. NO.	DESCRIPTION	NO. OF CHN.	DIM. DET.	STD. PACK
IMRE4SS1/24/OM	4CO 1CH 24VDC Relay Module With Base (Pluggable Relay) Rail Mount	1	40 X 88 X 74	1
IMRE4SS2/24/OM	4CO 2CH 24VDC Relay Module With Base (Pluggable Relay) Rail Mount	2	71 X 88 X 74	1
IMRE4SS4/24/OM	4CO 4CH 24VDC Relay Module With Base (Pluggable Relay) Rail Mount	4	137 X 88 X 74	1
IMRE4SS8/24/OM	4CO 8CH 24VDC Relay Module With Base (Pluggable Relay) Rail Mount	8	257 X 88 X 74	1

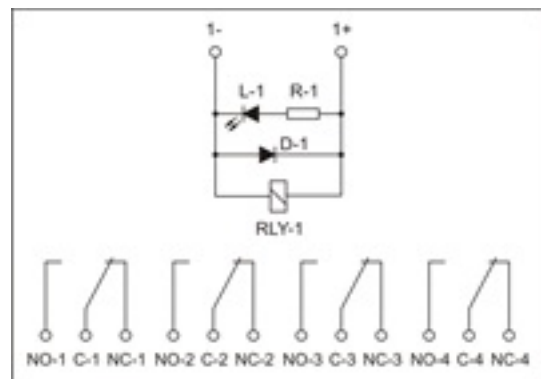
ACCESSORIES

IMAGES	CAT. NO.	DESCRIPTION	STD. PACK
	CA501-1M	Din 32 Rail unslotted 1 meter	50
	CA501-1M-S	Din 32 Rail slotted 1 meter	50
	CA501-2M	Din 32 Rail unslotted 2 meter	50
	CA501-2M-S	Din 32 Rail slotted 2 meter	50

ACCESSORIES....

IMAGES	CAT. NO.	DESCRIPTION	STD. PACK
	CA701-15-1M	Din 35 Rail 15 deep unslotted 1 meter	50
	CA701-15-1M-S	Din 35 Rail 15 deep slotted 1 meter	50
	CA701-15-2M	Din 35 Rail 15 deep unslotted 2 meter	50
	CA701-15-2M-S	Din 35 Rail 15 deep slotted 2 meter	50
	CA509/K2	Marking Tag Blank suitable for CDL4U / CDL4U(I.S) / CTL2.5U / CTL2.5UH / CTL2.5UL / CTL2.5HUL / CTL2.5U(I.S) / CTL2.5U(I.S)D2 / CGMT4 / CSFL4U / CSFL4U(L) / CMT4 / CMB4 / ASF4 / ASF4(L) / CTS2.5	100
	SCS0.5/3	Electricians Screwdriver for slotted screws	10
	IMACC/MY4-24DC	RELAY 4CO 24DC	10

CIRCUIT DIAGRAM



NOTES

- * Module Lengths mentioned are for RAIL Mounting option only. The lengths may vary for PANEL Mounting.
- ** PANEL Mounting relay modules are available on request. Please use the suffix -P with the cat. no. for ordering.

IMRE2SS8/24/ECO



Economical Relay Module 2CO 8CH 24VDC (DPDT)-(Compact Version)

- Relay Module For Industrial Suitability.
- Switching Current upto 5A at 230VAC (or 30VDC)
- Low Coil Drive Current (4.7 mA to 100 mA)
- Easy to replace Pluggable Relays.
- Possibility of Bussing (Jumping) relays in common negative & common positive configuration.
- Relay Coil Protection by means of Freewheeling Diode.
- Mounting Options available: Din Rail mounting & Panel Mounting.

GENERAL SPECIFICATION

Ambient Operating Temperature	-20 to +50 °C
Bussing Possibility	By using spare jumpers.
Housing Colour	Green
Housing Material	PVC / V0 Grade
Mounting Possibility	DIN32 / DIN35 / DIN35-15 / PANEL
Relay on Indication	3mm Red LED
Relay Protection Method	Using 1N4007 Free Wheeling Diode

CONNECTION SPECIFICATIONS

Type of Connection	Screw Connection
Min. Wire Size	0.5 mm ²
Max. Wire Size	2.5 mm ²
Min. Wire Size(AWG)	30 AWG
Max. Wire Size(AWG)	14 AWG
Wire Stripping Length	8 mm
Torque	0.5 Nm
Torque	4.5 lb-in

RELAY GENERAL SPECIFICATIONS

Relay Approvals	UL,CSA,KEMA KEUR,VDE,CE
Relay Make / Manufacturer	OMRON/G2R-2
Relay Type	DPDT - 2CO

RELAY INPUT / COIL SPECIFICATIONS

Nominal Operating Voltage	24 VDC
Coil Resistance	1100
Nominal Input Current	21.8 mA
Must Operate Voltage	16.8 VDC
Must Release Voltage	3.6 VDC
Maximum Operating Voltage	26.4 VDC

RELAY OUTPUT/CONTACT SPECIFICATIONS

Contact Material	AgCdO
Rated Contact Current (Resistive Load)	5 A
Load Voltage Range	380 VAC, 125 VDC
Maximum Operating Frequency	1800 Opr./Hr
Life Expectancy - Mechanical	20,000,000 operations min.
Life Expectancy Electrical	100,000 operations min.

ORDERING INFORMATION

CAT. NO.	DESCRIPTION	NO. OF CHN.	DIM. DET.	STD. PACK
IMRE2SS8/24/ECO	2CO 8CH 24VDC Economical Relay Module With Base (Pluggable Relay) Rail Mount	8	136 X 88 X 74	1
IMRE2S8/24/ECO	2CO 8CH 24VDC Economical Relay Module With Soldered Relay Rail Mount	8	136 X 88 X 74	1

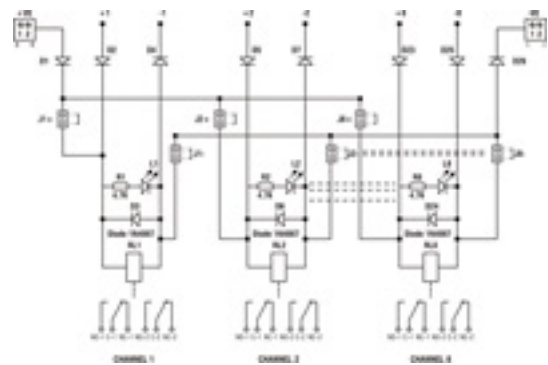
ACCESSORIES

IMAGES	CAT. NO.	DESCRIPTION	STD. PACK
	CA501-1M	Din 32 Rail unslotted 1 meter	50
	CA501-1M-S	Din 32 Rail slotted 1 meter	50
	CA501-2M	Din 32 Rail unslotted 2 meter	50
	CA501-2M-S	Din 32 Rail slotted 2 meter	50
	CA701-1M	Din 35 Rail unslotted 1 meter	50
	CA701-2M	Din 35 Rail unslotted 2 meter	50
	CA701-2M-S	Din 35 Rail slotted 2 meter	50
	CA701-1M-S	Din 35 Rail slotted 1 meter	50

ACCESSORIES....

IMAGES	CAT. NO.	DESCRIPTION	STD. PACK
	CA701-15-1M	Din 35 Rail 15 deep unslotted 1 meter	50
	CA701-15-1M-S	Din 35 Rail 15 deep slotted 1 meter	50
	CA701-15-2M	Din 35 Rail 15 deep unslotted 2 meter	50
	CA701-15-2M-S	Din 35 Rail 15 deep slotted 2 meter	50
	CA509/K2	Marking Tag Blank suitable for CDL4U / CDL4U(I.S) / CTL2.5U / CTL2.5UH / CTL2.5UL / CTL2.5HUL / CTL2.5U(I.S) / CTL2.5U(I.S)D2 / CGMT4 / CSFL4U / CSFL4U(L) / CMT4 / CMB4 / ASF4 / ASF4(L) / CTS2.5(100
	SCS0.5/3	Electricians Screwdriver for slotted screws	10
	IMACC/G2R2-24DC	RELAY 2CO 24DC	10

CIRCUIT DIAGRAM



NOTES

- * Module Lengths mentioned are for RAIL Mounting option only. The lengths may vary for PANEL Mounting.
- ** PANEL Mounting relay modules are available on request. Please use the suffix -P with the cat. no. for ordering.

IMRE1SS8/24/RED



Redundant Relay Module 1CO 24VDC (SPDT)

- Relay Module For Industrial Suitability.
- Switching Current upto 10A at 230VAC (or 30VDC)
- Low Coil Drive Current (4.7 mA to 100 mA)
- Easy to replace Pluggable Relays.
- Possibility of Bussing (Jumping) relays in common negative & common positive configuration.
- Relay Coil Protection by means of Freewheeling Diode.
- Mounting Options available: Din Rail mounting & Panel Mounting.

GENERAL SPECIFICATION

Ambient Operating Temperature	-20 to +50 °C
Housing Colour	Green
Housing Material	PVC / V0 Grade
Mounting Possibility	DIN32 / DIN35 / DIN35-15 / PANEL
Relay on Indication	3mm Red LED
Relay Protection Method	Using 1N4007 Free Wheeling Diode

CONNECTION SPECIFICATIONS

Type of Connection	Screw Connection
Min. Wire Size	0.5 mm ²
Max. Wire Size	2.5 mm ²
Min. Wire Size(AWG)	30 AWG
Max. Wire Size(AWG)	14 AWG
Wire Stripping Length	8.3 mm
Torque	0.5 Nm
Torque	4.5 Nm

RELAY GENERAL SPECIFICATIONS

Relay Approvals	UL,CSA, KEMAKEUR, VDE, CE
Relay Make / Manufacturer	Omron / G2R-1
Relay Type	SPDT

RELAY INPUT / COIL SPECIFICATIONS

Nominal Operating Voltage	24 VDC
Coil Resistance	1100
Nominal Input Current	21.8 mA
Must Operate Voltage	16.8 VDC
Must Release Voltage	3.6 VDC
Maximum Operating Voltage	26.4 VDC

RELAY OUTPUT/CONTACT SPECIFICATIONS

Contact Type	1 CO
Contact Material	AgCdO
Rated Contact Current (Resistive Load)	10 A
Load Voltage Range	380 VAC, 125 VDC
Maximum Operating Frequency	1800 Opr./Hr
Life Expectancy - Mechanical	20,000,000 operations min.
Life Expectancy Electrical	100,000 operations min.

ORDERING INFORMATION

CAT. NO.	DESCRIPTION	NO. OF CHN.	DIM. DET.	STD. PACK
IMRE1SS8/24/RED	1CO 8CH 24VDC Redundant Relay Module With Base (Pluggable Relay) Rail Mount	8	136 X 88 X 74	1
IMRE1S8/24/RED	1CO 8CH 24VDC Redundant Relay Module With Soldered Relay Rail Mount	8	136 X 88 X 74	1

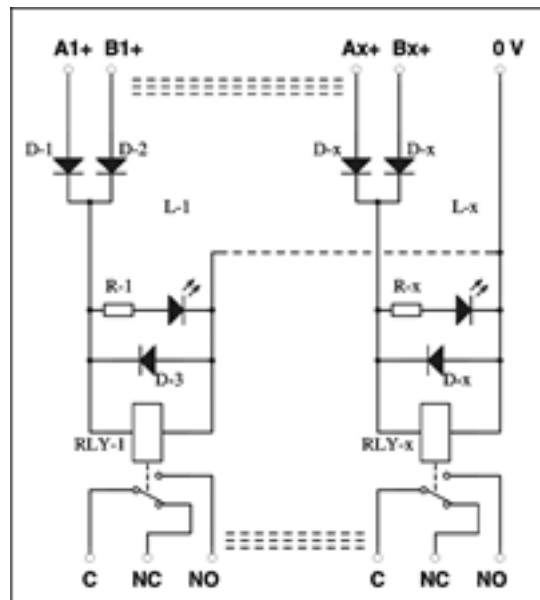
ACCESSORIES

IMAGES	CAT. NO.	DESCRIPTION	STD. PACK
	CA501-1M	Din 32 Rail unslotted 1 meter	50
	CA501-1M-S	Din 32 Rail slotted 1 meter	50
	CA501-2M	Din 32 Rail unslotted 2 meter	50
	CA501-2M-S	Din 32 Rail slotted 2 meter	50
	CA701-1M	Din 35 Rail unslotted 1 meter	50
	CA701-2M	Din 35 Rail unslotted 2 meter	50
	CA701-2M-S	Din 35 Rail slotted 2 meter	50
	CA701-1M-S	Din 35 Rail slotted 1 meter	50

ACCESSORIES....

IMAGES	CAT. NO.	DESCRIPTION	STD. PACK
	CA701-15-1M	Din 35 Rail 15 deep unslotted 1 meter	50
	CA701-15-1M-S	Din 35 Rail 15 deep slotted 1 meter	50
	CA701-15-2M	Din 35 Rail 15 deep unslotted 2 meter	50
	CA701-15-2M-S	Din 35 Rail 15 deep slotted 2 meter	50
	CA509/K2	Marking Tag Blank suitable for CDL4U / CDL4U(I.S) / CTL2.5U / CTL2.5UH / CTL2.5UL / CTL2.5HUL / CTL2.5U(I.S) / CTL2.5U(I.S)D2 / CGMT4 / CSFL4U / CSFL4U(L) / CMT4 / CMB4 / ASF4 / ASF4(L) / CTS2.5(100
	SCS0.5/3	Electricians Screwdriver for slotted screws	10
	IMACC/G2R1/24DC	RELAY 1CO 24VDC	10

CIRCUIT DIAGRAM



NOTES

- * Module Lengths mentioned are for RAIL Mounting option only. The lengths may vary for PANEL Mounting.
- ** PANEL Mounting relay modules are available on request. Please use the suffix -P with the cat. no. for ordering.
- #Module with Other Coil Voltage like 6 VDC, 48 VDC, 24 VAC etc. are available on request.

IMRE1SSxx/110A/OM



Relay Module 1CO 110VAC (SPDT)

- Relay Module For Industrial Suitability.
- Switching Current upto 10A at 230VAC (or 30VDC)
- Low Coil Drive Current (4.7 mA to 100 mA)
- Easy to replace Pluggable Relays.
- Possibility of Bussing (Jumping) relays in common negative or common positive configurations.
- LED indication to denote relay actuation.
- Relay Coil Protection by means of a Freewheeling diode.
- Mounting Options available: DIN Rail mounting & Panel mounting

GENERAL SPECIFICATION

Ambient Operating Temperature	-20 to +50 °C
Bussing Possibility	By using spare jumpers.
Housing Colour	Green
Housing Material	PVC / V0 Grade
Mounting Possibility	DIN32 / DIN35 / DIN35-15 / PANEL
Relay on Indication	3mm Red LED
Relay Protection Method	Using 1N4007 Free Wheeling Diode

ORDERING INFORMATION....

CAT. NO.	DESCRIPTION	NO. OF CHN.	DIM. DET.	STD. PACK
IMRE1S8/110A/OM	1CO 8CH 110VAC Relay Module With Soldered Relay Rail Mount	8	148 X 88 X 74	1
IMRE1S16/110A/OM	1CO 16CH 110VAC Relay Module With Soldered Relay Rail Mount	16	289 X 88 X 74	1

CONNECTION SPECIFICATIONS

Type of Connection	Screw Connection
Min. Wire Size	0.5 mm ²
Max. Wire Size	2.5 mm ²
Min. Wire Size(AWG)	30 AWG
Max. Wire Size(AWG)	14 AWG
Wire Stripping Length	8.3 mm
Torque	0.5 Nm
Torque	4.5 lb-in

ACCESSORIES

IMAGES	CAT. NO.	DESCRIPTION	STD. PACK
	CA501-1M	Din 32 Rail unslotted 1 meter	50
	CA501-1M-S	Din 32 Rail slotted 1 meter	50
	CA501-2M	Din 32 Rail unslotted 2 meter	50
	CA501-2M-S	Din 32 Rail slotted 2 meter	50
	CA701-1M	Din 35 Rail unslotted 1 meter	50
	CA701-2M	Din 35 Rail unslotted 2 meter	50
	CA701-2M-S	Din 35 Rail slotted 2 meter	50
	CA701-1M-S	Din 35 Rail slotted 1 meter	50
	CA701-15-1M	Din 35 Rail 15 deep unslotted 1 meter	50
	CA701-15-1M-S	Din 35 Rail 15 deep slotted 1 meter	50
	CA701-15-2M	Din 35 Rail 15 deep unslotted 2 meter	50
	CA701-15-2M-S	Din 35 Rail 15 deep slotted 2 meter	50
	CA509/K2	Marking Tag Blank suitable for CDL4U / CDL4U(I,S) / CTL2.5U / CTL2.5UH / CTL2.5UL / CTL2.5HUL / CTL2.5U(L,S) / CTL2.5U(I,S)D2 / CGMT4 / CSFL4U / CSFL4U(L) / CMT4 / CMB4 / ASF4 / ASF4(L) / CTS2.5(100
	SCS0.5/3	Electricians Screwdriver for slotted screws	10
	IMACC/G2R1/110AC	RELAY 1CO 110VAC	10

RELAY GENERAL SPECIFICATIONS

Relay Approvals	UL, CSA, VDE, KEMA KEUR, CE
Relay Make / Manufacturer	Omron / G2R-1
Relay Type	SPDT - 1CO

RELAY INPUT / COIL SPECIFICATIONS

Nominal Operating Voltage	110 VAC
Coil Resistance	4600
Nominal Input Current	11 mA
Must Operate Voltage	88 VAC
Must Release Voltage	33 VAC
Maximum Operating Voltage	121 VAC

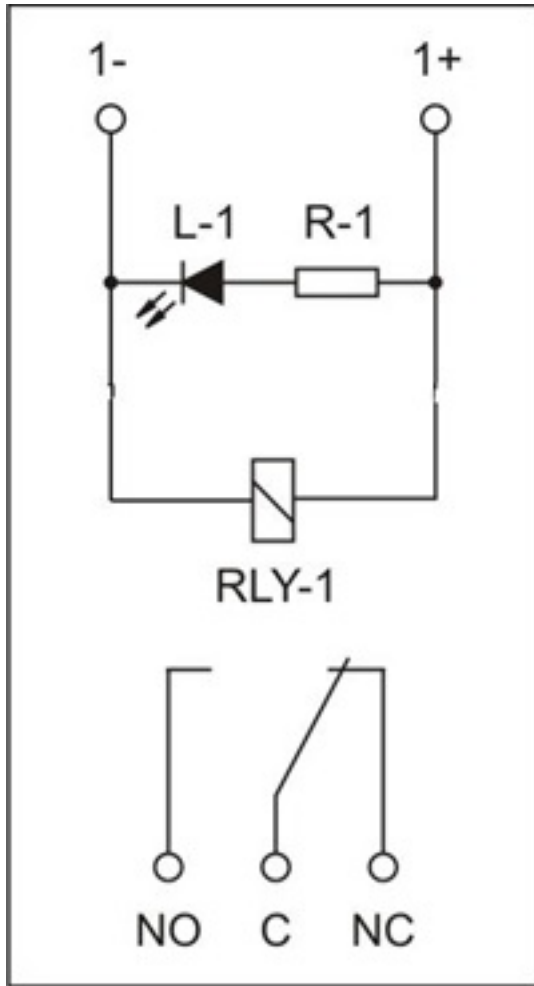
RELAY OUTPUT/CONTACT SPECIFICATIONS

Contact Material	AgCdO
Rated Contact Current (Resistive Load)	10 A
Load Voltage Range	380 VAC, 125 VDC
Maximum Operating Frequency	1800 Opr./Hr
Life Expectancy - Mechanical	20,000,000 operations min.
Life Expectancy Electrical	100,000 operations min.

ORDERING INFORMATION

CAT. NO.	DESCRIPTION	NO. OF CHN.	DIM. DET.	STD. PACK
IMRE1SS1/110A/OM	1CO 1CH 110VAC Relay Module With Base (Pluggable Relay) Rail Mount	1	23 X 88 X 74	5
IMRE1SS2/110A/OM	1CO 2CH 110VAC Relay Module With Base (Pluggable Relay) Rail Mount	2	45 X 88 X 74	1
IMRE1SS4/110A/OM	1CO 4CH 110VAC Relay Module With Base (Pluggable Relay) Rail Mount	4	79 X 88 X 74	1
IMRE1SS8/110A/OM	1CO 8CH 110VAC Relay Module With Base (Pluggable Relay) Rail Mount	8	148 X 88 X 74	1
IMRE1SS16/110A/OM	1CO 16CH 110VAC Relay Module With Base (Pluggable Relay) Rail Mount	16	289 X 88 X 74	1
IMRE1S1/110A/OM	1CO 1CH 110VAC Relay Module With Soldered Relay Rail Mount	1	23 X 88 X 74	5
IMRE1S2/110A/OM	1CO 2CH 110VAC Relay Module With Soldered Relay Rail Mount	2	45 X 88 X 74	1
IMRE1S4/110A/OM	1CO 4CH 110VAC Relay Module With Soldered Relay Rail Mount	4	79 X 88 X 74	1

CIRCUIT DIAGRAM



NOTES

- * Module Lengths mentioned are for RAIL Mounting option only. The lengths may vary for PANEL Mounting.
- ** PANEL Mounting relay modules are available on request. Please use the suffix -P with the cat. no. for ordering.
- ***Module with Other Coil Voltage like 6 VDC, 48 VDC, 24 VAC etc. are available on request.
- ****Module with only 1 NO (SPST) contacts are available on request.

IMRE4SSxx/110A/OM



Relay Module 4CO 110VAC (4PDT)

- Relay Module For Industrial Suitability.
- Switching Current upto 5A at 230VAC (or 30VDC)
- Low Coil Drive Current (4.7 mA to 100 mA)
- Easy to replace Pluggable Relays.
- Possibility of Bussing (Jumping) relays in common negative or common positive configurations.
- LED indication to denote relay actuation.
- Relay Coil Protection by means of a Freewheeling diode.
- Mounting Options available: DIN Rail mounting & Panel mounting

GENERAL SPECIFICATION

Ambient Operating Temperature	-20to+50 °C
Bussing Possibility	By using spare jumpers.
Housing Colour	Green
Housing Material	PVC / V0 Grade
Mounting Possibility	DIN32 / DIN35 / DIN35-15 / PANEL
Relay on Indication	3mm Red LED
Relay Protection Method	Using 1N4007 Free Wheeling Diode

CONNECTION SPECIFICATIONS

Type of Connection	Screw Connection
Min. Wire Size	0.5 mm ²
Max. Wire Size	2.5 mm ²
Min. Wire Size(AWG)	30 AWG
Max. Wire Size(AWG)	14 AWG
Wire Stripping Length	8.3 mm
Torque	0.5 Nm
Torque	4.5 lb-in

DSUB CONNECTOR SPECIFICATIONS

Housing Material (Insulator)	zh
------------------------------	----

RELAY GENERAL SPECIFICATIONS

Relay Approvals	UL, CSA, VDE, KEMA KEUR, CE
Relay Make / Manufacturer	Omron / MY4
Relay Type	4PDT - 4CO

RELAY INPUT / COIL SPECIFICATIONS

Nominal Operating Voltage	110 VAC
Coil Resistance	4600
Nominal Input Current	11 mA
Must Operate Voltage	88 VAC
Must Release Voltage	33 VAC
Maximum Operating Voltage	121 VAC

RELAY OUTPUT/CONTACT SPECIFICATIONS

Contact Material	AgCdO
Rated Contact Current (Resistive Load)	5 A
Load Voltage Range	250 VAC, 125 VDC
Maximum Operating Frequency	1800 Opr./Hr
Life Expectancy - Mechanical	20,000,000 operations min.
Life Expectancy Electrical	100,000 operations min.

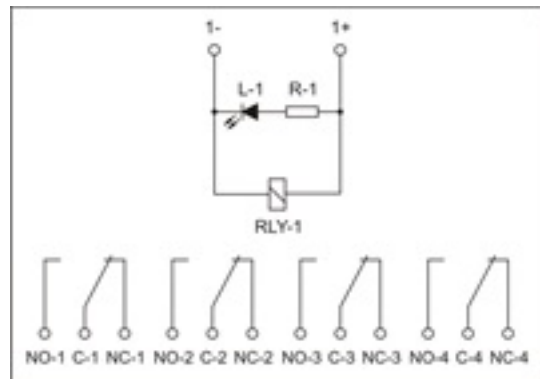
ORDERING INFORMATION

CAT. NO.	DESCRIPTION	NO. OF CHN.	DIM. DET.	STD. PACK
IMRE4SS1/110 A/OM	4CO 1CH 110VAC Relay Module With Base (Pluggable Relay) Rail Mount	1	40 X 88 X 74	1
IMRE4SS2/110 A/OM	4CO 2CH 110VAC Relay Module With Base (Pluggable Relay) Rail Mount	2	71 X 88 X 74	1
IMRE4SS4/110 A/OM	4CO 4CH 110VAC Relay Module With Base (Pluggable Relay) Rail Mount	4	137 X 88 X 74	1
IMRE4SS8/110 A/OM	4CO 8CH 110VAC Relay Module With Base (Pluggable Relay) Rail Mount	8	257 X 88 X 74	1

ACCESSORIES

IMAGES	CAT. NO.	DESCRIPTION	STD. PACK
	CA501-1M	Din 32 Rail unslotted 1 meter	50
	CA501-1M-S	Din 32 Rail slotted 1 meter	50
	CA501-2M	Din 32 Rail unslotted 2 meter	50
	CA501-2M-S	Din 32 Rail slotted 2 meter	50
	CA701-1M	Din 35 Rail unslotted 1 meter	50
	CA701-2M	Din 35 Rail unslotted 2 meter	50
	CA701-2M-S	Din 35 Rail slotted 2 meter	50
	CA701-1M-S	Din 35 Rail slotted 1 meter	50
	CA701-15-1M	Din 35 Rail 15 deep unslotted 1 meter	50
	CA701-15-1M-S	Din 35 Rail 15 deep slotted 1 meter	50
	CA701-15-2M	Din 35 Rail 15 deep unslotted 2 meter	50
	CA701-15-2M-S	Din 35 Rail 15 deep slotted 2 meter	50
	CA509/K2	Marking Tag Blank suitable for CDL4U / CDL4U(I,S) / CTL2.5U / CTL2.5UH / CTL2.5UL / CTL2.5HUL / CTL2.5U(I,S) / CTL2.5U(I,S)D2 / CGMT4 / CSFL4U / CSFL4U(L) / CMT4 / CMB4 / ASF4 / ASF4(L) / CTS2.5	100
	SCS0.5/3	Electricians Screwdriver for slotted screws	10
	IMACC/MY4-110AC	RELAY 4CO 110VAC	10

CIRCUIT DIAGRAM



NOTES

- * Module Lengths mentioned are for RAIL Mounting option only. The lengths may vary for PANEL Mounting.
- ** PANEL Mounting relay modules are available on request. Please use the suffix -P with the cat. no. for ordering.

IMRE2SSXX/230A/RECT



Relay Module 2CO 230VAC (DPDT) Rectifier Version

- Relay Module For Industrial Suitability.
- Switching Current upto 5A at 230VAC (or 30VDC)
- Low Coil Drive Current (4.7 mA to 100 mA)
- Easy to replace Pluggable Relays.
- LED Indication to denote relay actuation.
- Input Signal Conversion by means Rectifier
- Mounting Options available: DIN Rail mounting & Panel mounting.

GENERAL SPECIFICATION

Ambient Operating Temperature	-20to+50 °C
Housing Colour	Green
Housing Material	PVC / V0 Grade
Input signal type	230 VAC
Mounting Possibility	DIN32 / DIN35 / DIN35-15 / PANEL
Relay on Indication	3mm Red LED
Relay Protection Method	Using 1N4007 Free Wheeling Diode

CONNECTION SPECIFICATIONS

Type of Connection	Screw Connection
Min. Wire Size	0.5 mm ²
Max. Wire Size	2.5 mm ²
Min. Wire Size(AWG)	30 AWG
Max. Wire Size(AWG)	14 AWG
Wire Stripping Length	8.3 mm
Torque	0.5 Nm
Torque	4.5 lb-in

RELAY GENERAL SPECIFICATIONS

Relay Approvals	UL, CSA, VDE, KEMA KEUR, CE
Relay Make / Manufacturer	Omron / G2R-2
Relay Type	DPDT - 2CO

RELAY INPUT / COIL SPECIFICATIONS

Nominal Operating Voltage	230 VAC
Nominal Input Current	100 mA
Must Operate Voltage	184 VAC
Must Release Voltage	69 VAC
Maximum Operating Voltage	253 VAC

RELAY OUTPUT/CONTACT SPECIFICATIONS

Contact Material	AgCdO
Rated Contact Current (Resistive Load)	5 A
Load Voltage Range	380 VAC, 125 VDC
Maximum Operating Frequency	1800 Opr./Hr
Life Expectancy - Mechanical	20,000,000 operations min.
Life Expectancy Electrical	100,000 operations min.

ORDERING INFORMATION

CAT. NO.	DESCRIPTION	NO. OF CHN.	DIM. DET.	STD. PACK
IMRE2SS1/230 A/RECT	2CO 1CH 230VAC Rectifier Version Relay Module With Base (Pluggable Relay) Rail Mount	1	26X 120 X 74	1
IMRE2SS2/230 A/RECT	2CO 2CH 230VAC Rectifier Version Relay Module With Base (Pluggable Relay) Rail Mount	2	45X 120 X 74	1
IMRE2SS4/230 A/RECT	2CO 4CH 230VAC Rectifier Version Relay Module With Base (Pluggable Relay) Rail Mount	4	83X 120 X 74	1
IMRE2SS8/230 A/RECT	2CO 8CH 230VAC Rectifier Version Relay Module With Base (Pluggable Relay) Rail Mount	8	160 X 120 X 74	1
IMRE2SS16/230 A/RECT	2CO 16CH 230VAC Rectifier Version Relay Module With Base (Pluggable Relay) Rail Mount	16	315 X 120 X 74	1
IMRE2S1/230A /RECT	2CO 1CH 230VAC Rectifier Version Relay Module With Soldered Relay Rail Mount	1	26X 120 X 74	1
IMRE2S2/230A /RECT	2CO 2CH 230VAC Rectifier Version Relay Module With Soldered Relay Rail Mount	2	45X 120 X 74	1

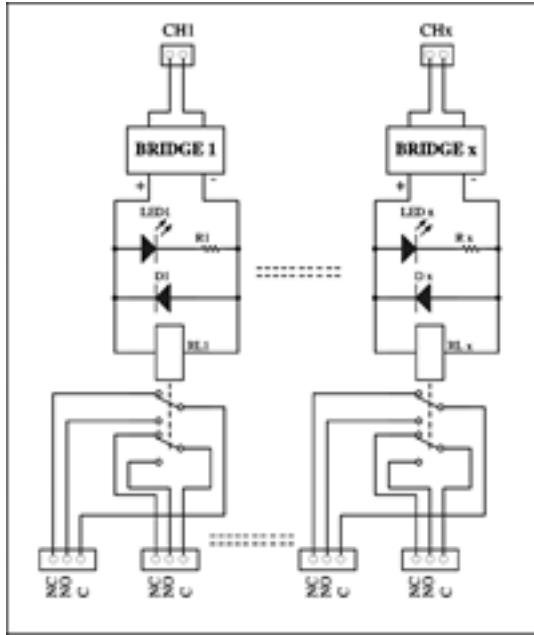
ORDERING INFORMATION....

CAT. NO.	DESCRIPTION	NO. OF CHN.	DIM. DET.	STD. PACK
IMRE2S4/230A /RECT	2CO 4CH 230VAC Rectifier Version Relay Module With Soldered Relay Rail Mount	4	83X 120 X 74	1
IMRE2S8/230A /RECT	2CO 8CH 230VAC Rectifier Version Relay Module With Soldered Relay Rail Mount	8	160X 120 X 74	1
IMRE2S16/230 A/RECT	2CO 16CH 230VAC Rectifier Version Relay Module With Soldered Relay Rail Mount	16	315 X 120 X 74	1

ACCESSORIES

IMAGES	CAT. NO.	DESCRIPTION	STD. PACK
	CA501-1M	Din 32 Rail unslotted 1 meter	50
	CA501-1M-S	Din 32 Rail slotted 1 meter	50
	CA501-2M	Din 32 Rail unslotted 2 meter	50
	CA501-2M-S	Din 32 Rail slotted 2 meter	50
	CA701-1M	Din 35 Rail unslotted 1 meter	50
	CA701-2M	Din 35 Rail unslotted 2 meter	50
	CA701-2M-S	Din 35 Rail slotted 2 meter	50
	CA701-1M-S	Din 35 Rail slotted 1 meter	50
	CA701-15-1M	Din 35 Rail 15 deep unslotted 1 meter	50
	CA701-15-1M-S	Din 35 Rail 15 deep slotted 1 meter	50
	CA701-15-2M	Din 35 Rail 15 deep unslotted 2 meter	50
	CA701-15-2M-S	Din 35 Rail 15 deep slotted 2 meter	50
	CA509/K12	Marking Tag Blank suitable for CTS16U / CTS25UN / CGT16N / CDB25 / CMDB25 / CSC16T / CSCG16T Terminal Blocks	100
	SCS0.5/3	Electricians Screwdriver for slotted screws	10
	IMACC/G2R2-24DC	RELAY 2CO 24DC	10

CIRCUIT DIAGRAM



NOTES

* Module Lengths mentioned are for RAIL Mounting option only. The lengths may vary for PANEL Mounting.
 ** PANEL Mounting relay modules are available on request. Please use the suffix -P with the cat. no. for ordering.

IMRE2SSxx/230A/OM



Relay Module 2CO 230VAC (DPDT)

- Relay Module For Industrial Suitability.
- Switching Current upto 5A at 230VAC (or 30VDC)
- Low Coil Drive Current (4.7 mA to 100 mA)
- Easy to replace Pluggable Relays.
- Possibility of Bussing (Jumping) relays in common negative or common positive configurations.
- LED indication to denote relay actuation.
- Relay Coil Protection by means of a Freewheeling diode.
- Mounting Options available: DIN Rail mounting & Panel mounting

GENERAL SPECIFICATION

Ambient Operating Temperature	-20to+50 °C
Bussing Possibility	By using spare jumpers.
Housing Colour	Green
Housing Material	PVC / V0 Grade
Mounting Possibility	DIN32 / DIN35 / DIN35-15 / PANEL
Relay on Indication	3mm Red LED
Relay Protection Method	Using 1N4007 Free Wheeling Diode

ORDERING INFORMATION....

CAT. NO.	DESCRIPTION	NO. OF CHN.	DIM. DET.	STD. PACK
IMRE2S8/230A/OM	2CO 8CH 230VAC Relay Module With Soldered Relay Rail Mount	8	193 X 88 X 74	1
IMRE2S16/230A/OM	2CO 16CH 230VAC Relay Module With Soldered Relay Rail Mount	16	377 X 88 X 74	1

CONNECTION SPECIFICATIONS

Type of Connection	Screw Connection
Min. Wire Size	0.5 mm ²
Max. Wire Size	2.5 mm ²
Min. Wire Size(AWG)	30 AWG
Max. Wire Size(AWG)	14 AWG
Wire Stripping Length	8.3 mm
Torque	0.5 Nm
Torque	4.5 lb-in

RELAY GENERAL SPECIFICATIONS

Relay Approvals	UL, CSA, VDE, KEMA KEUR, CE
Relay Make / Manufacturer	Omron / G2R-2
Relay Type	DPDT - 2CO

RELAY INPUT / COIL SPECIFICATIONS

Nominal Operating Voltage	230 VAC
Coil Resistance	26850
Nominal Input Current	4.7 mA
Must Operate Voltage	184 VAC
Must Release Voltage	69 VAC
Maximum Operating Voltage	253 VAC

RELAY OUTPUT/CONTACT SPECIFICATIONS

Contact Material	AgCdO
Rated Contact Current (Resistive Load)	5 A
Load Voltage Range	380 VAC, 125 VDC
Maximum Operating Frequency	1800 Opr./Hr
Life Expectancy - Mechanical	20,000,000 operations min.
Life Expectancy Electrical	100,000 operations min.

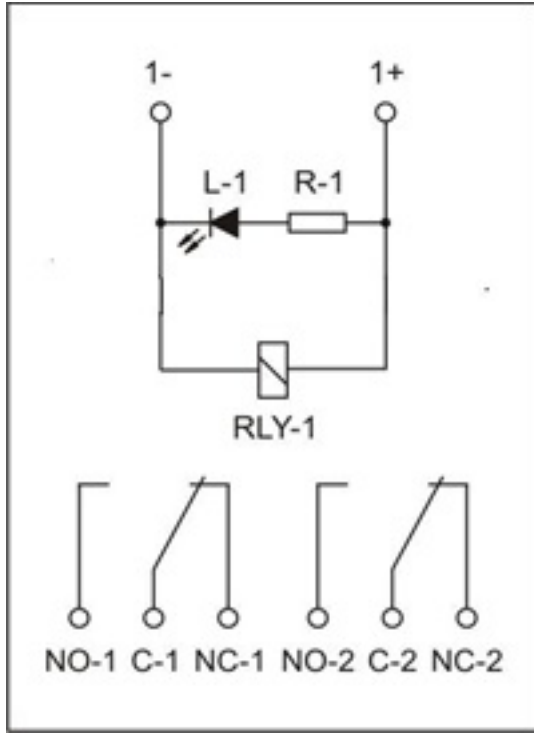
ORDERING INFORMATION

CAT. NO.	DESCRIPTION	NO. OF CHN.	DIM. DET.	STD. PACK
IMRE2SS1/230A/OM	2CO 1CH 230VAC Relay Module With Base (Pluggable Relay) Rail Mount	1	31 X 88 X 74	5
IMRE2SS2/230A/OM	2CO 2CH 230VAC Relay Module With Base (Pluggable Relay) Rail Mount	2	55 X 88 X 74	1
IMRE2SS4/230A/OM	2CO 4CH 230VAC Relay Module With Base (Pluggable Relay) Rail Mount	4	100 X 88 X 74	1
IMRE2SS8/230A/OM	2CO 8CH 230VAC Relay Module With Base (Pluggable Relay) Rail Mount	8	193 X 88 X 74	1
IMRE2SS16/230A/OM	2CO 16CH 230VAC Relay Module With Base (Pluggable Relay) Rail Mount	16	377 X 88 X 74	1
IMRE2S1/230A/OM	2CO 1CH 230VAC Relay Module With Soldered Relay Rail Mount	1	31 X 88 X 74	5
IMRE2S2/230A/OM	2CO 2CH 230VAC Relay Module With Soldered Relay Rail Mount	2	55 X 88 X 74	1
IMRE2S4/230A/OM	2CO 4CH 230VAC Relay Module With Soldered Relay Rail Mount	4	100 X 88 X 74	1

ACCESSORIES

IMAGES	CAT. NO.	DESCRIPTION	STD. PACK
	CA501-1M	Din 32 Rail unslotted 1 meter	50
	CA501-1M-S	Din 32 Rail slotted 1 meter	50
	CA501-2M	Din 32 Rail unslotted 2 meter	50
	CA501-2M-S	Din 32 Rail slotted 2 meter	50
	CA701-1M	Din 35 Rail unslotted 1 meter	50
	CA701-2M	Din 35 Rail unslotted 2 meter	50
	CA701-2M-S	Din 35 Rail slotted 2 meter	50
	CA701-1M-S	Din 35 Rail slotted 1 meter	50
	CA701-15-1M	Din 35 Rail 15 deep unslotted 1 meter	50
	CA701-15-1M-S	Din 35 Rail 15 deep slotted 1 meter	50
	CA701-15-2M	Din 35 Rail 15 deep unslotted 2 meter	50
	CA701-15-2M-S	Din 35 Rail 15 deep slotted 2 meter	50
	CA509/K2	Marking Tag Blank suitable for CDL4U / CDL4U(I,S) / CTL2.5U / CTL2.5UH / CTL2.5UL / CTL2.5HUL / CTL2.5U(L,S) / CTL2.5U(I,S)D2 / CGMT4 / CSFL4U / CSFL4U(L) / CMT4 / CMB4 / ASF4 / ASF4(L) / CTS2.5(100
	SCS0.5/3	Electricians Screwdriver for slotted screws	10
	IMACC/G2R2-230VAC	RELAY 2CO 230VAC	10

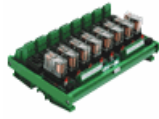
CIRCUIT DIAGRAM



NOTES

- * Module Lengths mentioned are for RAIL Mounting option only. The lengths may vary for PANEL Mounting.
- ** PANEL Mounting relay modules are available on request. Please use the suffix -P with the cat. no. for ordering.
- *** Module with Other Coil Voltage like 6 VDC, 48 VDC, 24 VAC etc. are available on request.
- **** Module with only 2 NO (DPST) contacts are available on request.

IMRE1SSxx/24A/RECT



Relay Module 1CO 24VAC (SPDT) Rectifier Version

- Relay Module For Industrial Suitability.
- Switching Current upto 10A at 230VAC (or 30VDC)
- Low Coil Drive Current (4.7 mA to 100 mA)
- Easy to replace Pluggable Relays.
- LED Indication to denote relay actuation.
- Input Signal Conversion by means Rectifier
- Mounting Options available: DIN Rail mounting & Panel mounting.

GENERAL SPECIFICATION

Ambient Operating Temperature	-20 to +50 °C
Housing Colour	Green
Housing Material	PVC / V0 Grade
Mounting Possibility	DIN32 / DIN35 / DIN35-15 / PANEL
Relay on Indication	3mm Red LED

CONNECTION SPECIFICATIONS

Type of Connection	Screw Connection
Min. Wire Size	0.5 mm ²
Max. Wire Size	2.5 mm ²
Min. Wire Size(AWG)	30 AWG
Max. Wire Size(AWG)	14 AWG
Wire Stripping Length	8.3 mm
Torque	0.5 Nm
Torque	4.5 lb-in

RELAY GENERAL SPECIFICATIONS

Relay Approvals	UL, CSA, VDE, KEMA KEUR, CE
Relay Make / Manufacturer	Omron / G2R-1
Relay Type	SPDT-1CO

RELAY INPUT / COIL SPECIFICATIONS

Nominal Operating Voltage	24 VAC
Coil Resistance	1100
Nominal Input Current	21.8 mA
Must Operate Voltage	16.8 VAC
Must Release Voltage	3.6 VAC
Maximum Operating Voltage	26.4 VAC

RELAY OUTPUT/CONTACT SPECIFICATIONS

Contact Material	AgCdO
Rated Contact Current (Resistive Load)	10 A
Load Voltage Range	380 VAC, 125 VDC
Maximum Operating Frequency	1800 Opr./Hr
Life Expectancy - Mechanical	20,000,000 operations min.
Life Expectancy Electrical	100,000 operations min.

ORDERING INFORMATION

CAT. NO.	DESCRIPTION	NO. OF CHN.	DIM. DET.	STD. PACK
IMRE1SS1/24A/RECT	1CO1CH 24VAC Rectifier Version Relay Module With Base (Pluggable Relay) Rail Mount	1	23 X 88 X 74	5
IMRE1SS2/24A/RECT	1CO 2CH 24VAC Rectifier Version Relay Module With Base (Pluggable Relay) Rail Mount	2	36 X 88 X 74	1
IMRE1SS4/24A/RECT	1CO 4CH 24VAC Rectifier Version Relay Module With Base (Pluggable Relay) Rail Mount	4	72 X 88 X 74	1
IMRE1SS8/24A/RECT	1CO 8CH 24VAC Rectifier Version Relay Module With Base (Pluggable Relay) Rail Mount	8	138 X 88 X 74	1
IMRE1S16/24A/RECT	1CO 16CH 24VAC Rectifier Version Relay Module With Base (Pluggable Relay) Rail Mount	16	273 X 88 X 74	1
IMRE1S1/24A/RECT	1CO 1CH 24VAC Rectifier Version Relay Module With Soldered Relay Rail Mount	1	23 X 88 X 74	5
IMRE1S2/24A/RECT	1CO 2CH 24VAC Rectifier Version Relay Module With Soldered Relay Rail Mount	2	36 X 88 X 74	1
IMRE1S4/24A/RECT	1CO 4CH 24VAC Rectifier Version Relay Module With Soldered Relay Rail Mount	4	72 X 88 X 74	1

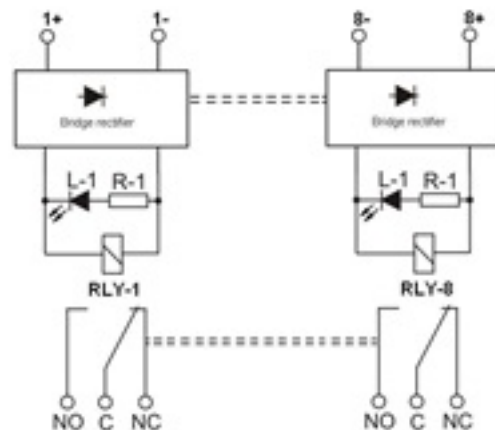
ORDERING INFORMATION....

CAT. NO.	DESCRIPTION	NO. OF CHN.	DIM. DET.	STD. PACK
IMRE1S8/24A/RECT	1CO 8CH 24VAC Rectifier Version Relay Module With Soldered Relay Rail Mount	8	138 X 88 X 74	1
IMRE1S16/24A/RECT	1CO 16CH 24VAC Rectifier Version Relay Module With Soldered Relay Rail Mount	16	273 X 88 X 74	1

ACCESSORIES

IMAGES	CAT. NO.	DESCRIPTION	STD. PACK
	CA501-1M	Din 32 Rail unslotted 1 meter	50
	CA501-1M-S	Din 32 Rail slotted 1 meter	50
	CA501-2M	Din 32 Rail unslotted 2 meter	50
	CA501-2M-S	Din 32 Rail slotted 2 meter	50
	CA701-1M	Din 35 Rail unslotted 1 meter	50
	CA701-2M	Din 35 Rail unslotted 2 meter	50
	CA701-2M-S	Din 35 Rail slotted 2 meter	50
	CA701-1M-S	Din 35 Rail slotted 1 meter	50
	CA701-15-1M	Din 35 Rail 15 deep unslotted 1 meter	50
	CA701-15-1M-S	Din 35 Rail 15 deep slotted 1 meter	50
	CA701-15-2M	Din 35 Rail 15 deep unslotted 2 meter	50
	CA701-15-2M-S	Din 35 Rail 15 deep slotted 2 meter	50
	IMACC/G2R1/24DC	RELAY 1CO 24VDC	10

CIRCUIT DIAGRAM



NOTES

- * Module Lengths mentioned are for RAIL Mounting option only. The lengths may vary for PANEL Mounting.
- ** PANEL Mounting relay modules are available on request. Please use the suffix -P with the cat. no. for ordering.

IMREF1SSxx/12/OM



Relay Module 1CO 12VDC (SPDT) With Input Fuse Protection

- Replaceable fuses with simple to operate Horizontal fuse holders
- Fast Blow & Slow Blow fuses available as standard
- Fuse ratings from 0.1 A, to 6.3 A available.
- Variety of Operating Voltages.
- Switching Current upto 10 A at 230 VAC (or 30 VDC).
- Low Coil Drive Current(4.7 mA to 100 mA)
- Easy to replace pluggable relays.
- Possibility of Bussing (Jumpering) relays in common negative or common positive configurations.
- Relay Coil Protection by means of a Freewheeling Diode
- Green LED indication to denote relay actuation.

- Red LED indication to denote fuse fail indication.
- Mounting Options available: DIN Rail mounting & Panel mounting.

GENERAL SPECIFICATION

Ambient Operating Temperature	-20to+50 °C
Bussing Possibility	By using spare jumpers.
Housing Colour	Green
Housing Material	PVC / V0 Grade
Mounting Possibility	DIN32 / DIN35 / DIN35-15 / PANEL
Relay on Indication	3mm Red LED
Relay Protection Method	Using 1N4007 Free Wheeling Diode

FUSE SPECIFICATIONS

Fuse Rating	0.1, 0.5, 0.63, 1, 2, 3, 4, 5, 6, 6.3 A
Fuse Size	5 mm
Fuse Type	Fast Blow/Slow Blow

CONNECTION SPECIFICATIONS

Type of Connection	Screw Connection
Min. Wire Size	0.5 mm ²
Max. Wire Size	2.5 mm ²
Min. Wire Size(AWG)	30 mm ²
Max. Wire Size(AWG)	14 mm ²
Wire Stripping Length	8.3 mm
Torque	0.5 Nm
Torque	4.5 Nm

RELAY GENERAL SPECIFICATIONS

Relay Approvals	UL,CSA,KEMA KEUR,VDE,CE
Relay Make / Manufacturer	OMRON/G2R-1
Relay Type	SPDT-1CO

RELAY INPUT / COIL SPECIFICATIONS

Nominal Operating Voltage	12 VDC
Coil Resistance	275
Nominal Input Current	43.6 mA
Must Operate Voltage	8.4 VDC
Must Release Voltage	1.8 VDC
Maximum Operating Voltage	13.2 VDC

RELAY OUTPUT/CONTACT SPECIFICATIONS

Contact Material	AgCdO
Rated Contact Current (Resistive Load)	10 A
Load Voltage Range	380 VAC, 125 VDC
Maximum Operating Frequency	1800 Opr./Hr
Life Expectancy - Mechanical	20,000,000 operations min.
Life Expectancy Electrical	100,000 operations min.

FUSE HOLDER SPECIFICATIONS

Cap Design	Flat
Fuse Size	5 x 20 mm
Mounting type	Horizontal
Rated Current	6.3 A

ORDERING INFORMATION

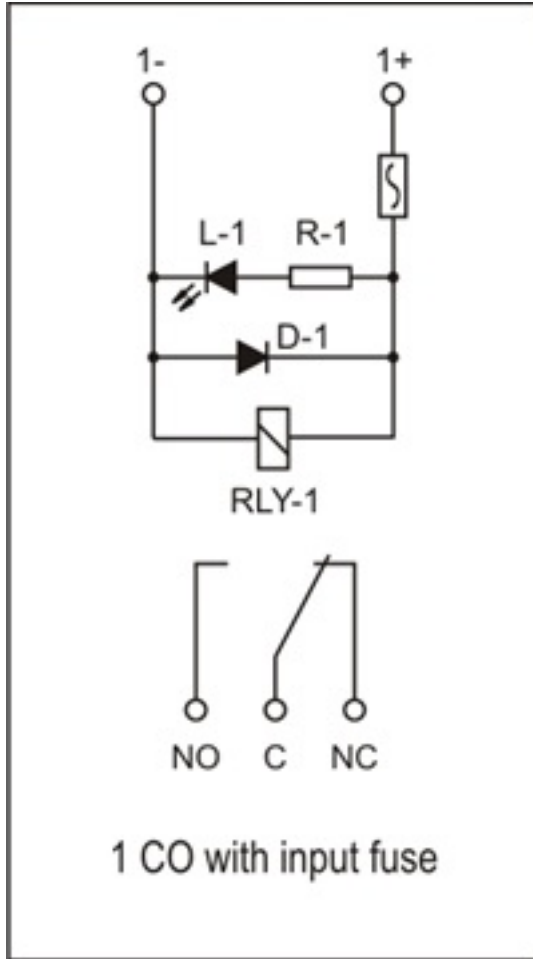
CAT. NO.	DESCRIPTION	NO. OF CHN.	DIM. DET.	STD. PACK
IMREF1SS1/12 /OM	1CO 1CH 12VDC Input Fused Relay Module With Base(Pluggable Relay) Rail Mount	1	23 X 120 X 74	1
IMREF1SS2/12 /OM	1CO 2CH 12VDC Input Fused Relay Module With Base(Pluggable Relay)	2	39 X 120 X 74	1

ORDERING INFORMATION....

CAT. NO.	DESCRIPTION	NO. OF CHN.	DIM. DET.	STD. PACK
	Rail Mount			
IMREF1SS4/12 /OM	1CO 4CH 12VDC Input Fused Relay Module With Base(Pluggable Relay) Rail Mount	4	69 X 120 X 74	1
IMREF1SS8/12 /OM	1CO 8CH 12VDC Input Fused Relay Module With Base(Pluggable Relay) Rail Mount	8	130 X 120 X 74	1
IMREF1SS16/1 2/OM	1CO 16CH 12VDC Input Fused Relay Module With Base(Pluggable Relay) Rail Mount	16	257 X 120 X 74	1
IMREF1S1/12/ OM	1CO 1CH 12VDC Input Fused Relay Module With Soldered Relay Rail Mount	1	23 X 120 X 74	1
IMREF1S2/12/ OM	1CO 2CH 12VDC Input Fused Relay Module With Soldered Relay Rail Mount	2	39 X 120 X 74	1
IMREF1S4/12/ OM	1CO 4CH 12VDC Input Fused Relay Module With Soldered Relay Rail Mount	4	69 X 120 X 74	1
IMREF1S8/12/ OM	1CO 8CH 12VDC Input Fused Relay Module With Soldered Relay Rail Mount	8	130 X 120 X 74	1
IMREF1S16/12 /OM	1CO 16CH 12VDC Input Fused Relay Module With Soldered Relay Rail Mount	16	257 X 120 X 74	1

ACCESSORIES

IMAGES	CAT. NO.	DESCRIPTION	STD. PACK
	CA501-1M	Din 32 Rail unslotted 1 meter	50
	CA501-1M-S	Din 32 Rail slotted 1 meter	50
	CA501-2M	Din 32 Rail unslotted 2 meter	50
	CA501-2M-S	Din 32 Rail slotted 2 meter	50
	CA701-1M	Din 35 Rail unslotted 1 meter	50
	CA701-2M	Din 35 Rail unslotted 2 meter	50
	CA701-2M-S	Din 35 Rail slotted 2 meter	50
	CA701-1M-S	Din 35 Rail slotted 1 meter	50
	CA701-15-1M	Din 35 Rail 15 deep unslotted 1 meter	50
	CA701-15-1M-S	Din 35 Rail 15 deep slotted 1 meter	50
	CA701-15-2M	Din 35 Rail 15 deep unslotted 2 meter	50
	CA701-15-2M-S	Din 35 Rail 15 deep slotted 2 meter	50
	SCS0.5/3	Electricians Screwdriver for slotted screws	10
	IMACC/G2R1-12DC	RELAY 1CO 12VDC	10



NOTES

- * Module Lengths mentioned are for RAIL Mounting option only. The lengths may vary for PANEL Mounting.
- ** PANEL Mounting relay modules are available on request. Please use the suffix -P with the cat. no. for ordering.
- ***Module with Other Coil Voltage like 6 VDC, 48 VDC, 24 VAC etc. are available on request.

IMRE2SSFxx/12/OM



Relay Module 2CO 12VDC (DPDT) With Output Fuse Protection

- Replaceable fuses with simple to operate Horizontal fuse holders
- Fast Blow & Slow Blow fuses available as standard
- Fuse ratings from 0.1 A to 6.3 A available.
- Variety of Operating Voltages.
- Switching Current upto 5 A at 230 VAC (or 30 VDC).
- Low Coil Drive Current(4.7 mA to 100 mA)
- Easy to replace pluggable relays
- possibility of Bussing (Jumpering) relays in common negative or common positive configurations.
- Relay Coil Protection by means of a Freewheeling Diode.
- Red LED indication to denote relay actuation.
- Mounting Options available:DIN Rail mounting & Panel mounting

GENERAL SPECIFICATION

Ambient Operating Temperature	-20to+50 °C
Bussing Possibility	By using spare jumpers.
Housing Colour	Green
Housing Material	PVC / V0 Grade
Mounting Possibility	DIN32 / DIN35 / DIN35-15 / PANEL
Relay on Indication	3mm Red LED
Relay Protection Method	Using 1N4007 Free Wheeling Diode

FUSE SPECIFICATIONS

Fuse Rating	0.1, 0.5, 0.63, 1, 2, 3, 4, 5, 6, 6.3 A
Fuse Size	5 x 20 mm
Fuse Type	Fast Blow

CONNECTION SPECIFICATIONS

Type of Connection	Screw Connection
Min. Wire Size	0.5 mm ²
Max. Wire Size	2.5 mm ²
Min. Wire Size(AWG)	30 AWG
Max. Wire Size(AWG)	14 AWG
Wire Stripping Length	8.3 mm
Torque	0.5 Nm
Torque	4.5 lb-in

RELAY GENERAL SPECIFICATIONS

Relay Approvals	UL, CSA, VDE, KEMA KEUR, CE
Relay Make / Manufacturer	OMRON/G2R-2
Relay Type	DPDT - 2CO

RELAY INPUT / COIL SPECIFICATIONS

Nominal Operating Voltage	12 VDC
Coil Resistance	275
Nominal Input Current	43.6 mA
Must Operate Voltage	8.4 VDC
Must Release Voltage	1.8 VDC
Maximum Operating Voltage	13.2 VDC

Contact Material	AgCdO
Rated Contact Current (Resistive Load)	5 A
Load Voltage Range	380 VAC, 125 VDC
Maximum Operating Frequency	1800 Opr./Hr
Life Expectancy - Mechanical	20,000,000 operations min.
Life Expectancy Electrical	100,000 operations min.

FUSE HOLDER SPECIFICATIONS

Cap Design	Flat
Fuse Size	5 mm
Mounting type	Horizontal
Rated Current	6.3 A

ORDERING INFORMATION

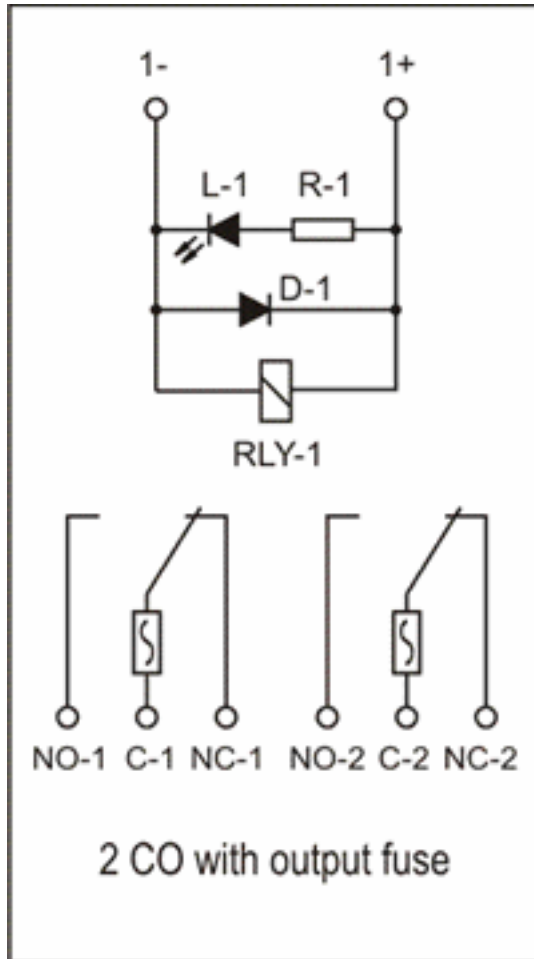
CAT. NO.	DESCRIPTION	NO. OF CHN.	DIM. DET.	STD. PACK
IMRE2SSF1/12 /OM	2CO 1CH 12VDC Output Fused Relay Module With Base (Pluggable Relay) Rail Mount	1	26 X 120 X 74	1
IMRE2SSF2/12 /OM	2CO 2CH 12VDC Output Fused Relay Module With Base (Pluggable Relay) Rail Mount	2	52 X 120 X 74	1

ORDERING INFORMATION....

CAT. NO.	DESCRIPTION	NO. OF CHN.	DIM. DET.	STD. PACK
IMRE2SSF4/12 /OM	2CO 4CH 12VDC Output Fused Relay Module With Base (Pluggable Relay) Rail Mount	4	102 X 120 X 74	1
IMRE2SSF8/12 /OM	2CO 8CH 12VDC Output Fused Relay Module With Base (Pluggable Relay) Rail Mount	8	190 X 120 X 74	1
IMRE2SSF16/1 2/OM	2CO 16CH 12VDC Output Fused Relay Module With Base (Pluggable Relay) Rail Mount	16	312 X 120 X 74	1
IMRE2SF1/12/ OM	2CO 1CH 12VDC Output Fused Relay Module With Soldered Relay Rail Mount	1	26 X 120 X 74	1
IMRE2SF2/12/ OM	2CO 2CH 12VDC Output Fused Relay Module With Soldered Relay Rail Mount	2	52 X 120 X 74	1
IMRE2SF4/12/ OM	2CO 4CH 12VDC Output Fused Relay Module With Soldered Relay Rail Mount	4	102 X 120 X 74	1
IMRE2SF8/12/ OM	2CO 8CH 12VDC Output Fused Relay Module With Soldered Relay Rail Mount	8	190 X 120 X 74	1
IMRE2SF16/12 /OM	2CO 16CH 12VDC Output Fused Relay Module With Soldered Relay Rail Mount	16	312 X 120 X 74	1

ACCESSORIES

IMAGES	CAT. NO.	DESCRIPTION	STD. PACK
	CA501-1M	Din 32 Rail unslotted 1 meter	50
	CA501-1M-S	Din 32 Rail slotted 1 meter	50
	CA501-2M	Din 32 Rail unslotted 2 meter	50
	CA501-2M-S	Din 32 Rail slotted 2 meter	50
	CA701-1M	Din 35 Rail unslotted 1 meter	50
	CA701-2M	Din 35 Rail unslotted 2 meter	50
	CA701-2M-S	Din 35 Rail slotted 2 meter	50
	CA701-1M-S	Din 35 Rail slotted 1 meter	50
	CA701-15-1M	Din 35 Rail 15 deep unslotted 1 meter	50
	CA701-15-1M-S	Din 35 Rail 15 deep slotted 1 meter	50
	CA701-15-2M	Din 35 Rail 15 deep unslotted 2 meter	50
	CA701-15-2M-S	Din 35 Rail 15 deep slotted 2 meter	50
	CA509/K2	Marking Tag Blank suitable for CDL4U / CDL4U(I.S) / CTL2.5U / CTL2.5UH / CTL2.5UL / CTL2.5HUL / CTL2.5U(I.S) / CTL2.5U(I.S)D2 / CGMT4 / CSFL4U / CSFL4U(L) / CMT4 / CMB4 / ASF4 / ASF4(L) / CTS2.5(100
	SCS0.5/3	Electricians Screwdriver for slotted screws	10
	IMACC/G2R2-12DC	RELAY 2CO 12DC	10



NOTES

- * Module Lengths mentioned are for RAIL Mounting option only. The lengths may vary for PANEL Mounting.
- ** PANEL Mounting relay modules are available on request. Please use the suffix -P with the cat. no. for ordering.
- ***Module with Other Coil Voltage like 6 VDC, 48 VDC, 24 VAC etc. are available on request.

IMRE2SSFxx/110A/OM



Relay Module 2CO 110VAC (DPDT) With Output Fuse Protection

- Replaceable fuses with simple to operate Horizontal fuse holders
- Fast Blow & Slow Blow fuses available as standard
- Fuse ratings from 0.1 A to 6.3 A available.
- Variety of Operating Voltages.
- Switching Current upto 5 A at 230 VAC (or 30 VDC).
- Low Coil Drive Current(4.7 mA to 100 mA)
- Easy to replace pluggable relays
- possibility of Bussing (Jumpering) relays in common negative or common positive configurations.
- Relay Coil Protection by means of a Freewheeling Diode.
- Red LED indication to denote relay actuation.
- Mounting Options available:DIN Rail mounting & Panel mounting

GENERAL SPECIFICATION

Ambient Operating Temperature	-20 to 50 °C
Bussing Possibility	By using spare jumpers.
Housing Colour	Green
Housing Material	PVC / V0 Grade
Mounting Possibility	DIN32 / DIN35 / DIN35-15 / PANEL
Relay on Indication	3mm Red LED
Relay Protection Method	Using 1N4007 Free Wheeling Diode

FUSE SPECIFICATIONS

Fuse Rating	0.1, 0.5, 0.63, 1, 2, 3, 4, 5, 6, 6.3 A
Fuse Size	5 x 20 mm
Fuse Type	Fast Blow/Slow Blow

CONNECTION SPECIFICATIONS

Type of Connection	Screw Connection
Min. Wire Size	0.5 mm ²
Max. Wire Size	2.5 mm ²
Min. Wire Size(AWG)	30 AWG
Max. Wire Size(AWG)	14 AWG
Wire Stripping Length	8.3 mm
Torque	0.5 Nm
Torque	4.5 lb-in

RELAY GENERAL SPECIFICATIONS

Relay Approvals	UL,CSA,KEMA KEUR,VDE,CE
Relay Make / Manufacturer	OMRON/G2R-2
Relay Type	DPDT - 2CO

RELAY INPUT / COIL SPECIFICATIONS

Nominal Operating Voltage	110 VAC
Coil Resistance	4600
Nominal Input Current	11 mA
Must Operate Voltage	88 VAC
Must Release Voltage	33 VAC
Maximum Operating Voltage	121 VAC

Contact Material	AgCdO
Rated Contact Current (Resistive Load)	5 A
Load Voltage Range	380 VAC, 125 VDC
Maximum Operating Frequency	1800 Opr./Hr
Life Expectancy - Mechanical	20,000,000 operations min.
Life Expectancy Electrical	100,000 operations min.

FUSE HOLDER SPECIFICATIONS

Cap Design	Flat
Fuse Size	5 x 20 mm
Mounting type	Horizontal
Rated Current	6.3 A

ORDERING INFORMATION

CAT. NO.	DESCRIPTION	NO. OF CHN.	DIM. DET.	STD. PACK
IMRE2SSF1/110A/OM	2CO 1CH 110VAC Output Fused Relay Module With Base (Pluggable Relay) Rail Mount	1	26 X 120 X 74	1
IMRE2SSF2/110A/OM	2CO 2CH 110VAC Output Fused Relay Module With Base (Pluggable Relay) Rail Mount	1	52 X 120 X 74	2


ORDERING INFORMATION....

CAT. NO.	DESCRIPTION	NO. OF CHN.	DIM. DET.	STD. PACK
IMRE2SSF4/110A/OM	2CO 4CH 110VAC Output Fused Relay Module With Base (Pluggable Relay) Rail Mount	1	102 X 120 X 74	4
IMRE2SSF8/110A/OM	2CO 8CH 110VAC Output Fused Relay Module With Base (Pluggable Relay) Rail Mount	1	190 X 120 X 74	8
IMRE2SSF16/110A/OM	2CO 16CH 110VAC Output Fused Relay Module With Base (Pluggable Relay) Rail Mount	1	312 X 120 X 74	16
IMRE2SF1/110A/OM	2CO 1CH 110VAC Output Fused Relay Module With Soldered Relay Rail Mount	1	26 X 120 X 74	1
IMRE2SF2/110A/OM	2CO 2CH 110VAC Output Fused Relay Module With Soldered Relay Rail Mount	1	52 X 120 X 74	2
IMRE2SF4/110A/OM	2CO 4CH 110VAC Output Fused Relay Module With Soldered Relay Rail Mount	1	102 X 120 X 74	4
IMRE2SF8/110A/OM	2CO 8CH 110VAC Output Fused Relay Module With Soldered Relay Rail Mount	1	190 X 120 X 74	8
IMRE2SF16/110A/OM	2CO 16CH 110VAC Output Fused Relay Module With Soldered Relay Rail Mount	1	312 X 120 X 74	16

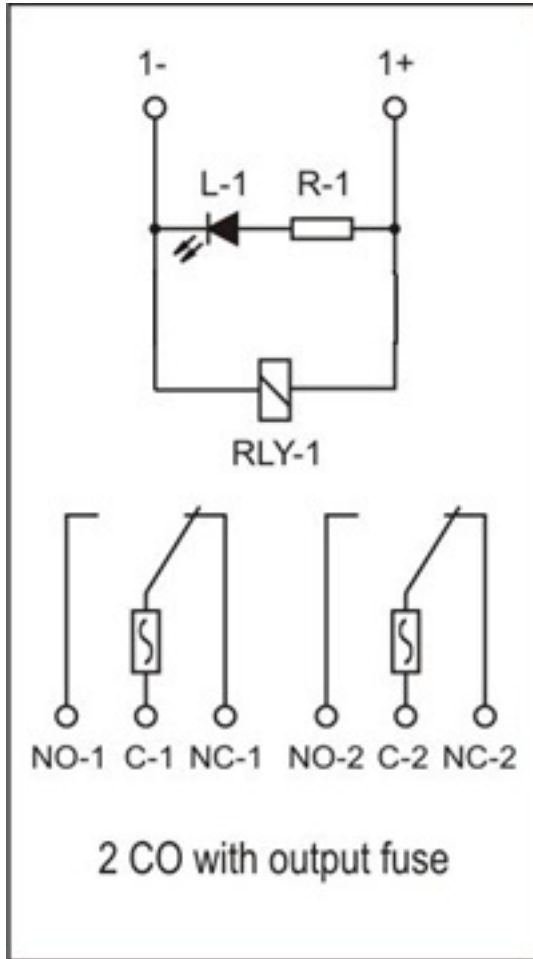
ACCESSORIES

IMAGES	CAT. NO.	DESCRIPTION	STD. PACK
	CA501-1M	Din 32 Rail unslotted 1 meter	50
	CA501-1M-S	Din 32 Rail slotted 1 meter	50
	CA501-2M	Din 32 Rail unslotted 2 meter	50
	CA501-2M-S	Din 32 Rail slotted 2 meter	50
	CA701-1M	Din 35 Rail unslotted 1 meter	50
	CA701-2M	Din 35 Rail unslotted 2 meter	50
	CA701-2M-S	Din 35 Rail slotted 2 meter	50
	CA701-1M-S	Din 35 Rail slotted 1 meter	50
	CA701-15-1M	Din 35 Rail 15 deep unslotted 1 meter	50
	CA701-15-1M-S	Din 35 Rail 15 deep slotted 1 meter	50
	CA701-15-2M	Din 35 Rail 15 deep unslotted 2 meter	50
	CA701-15-2M-S	Din 35 Rail 15 deep slotted 2 meter	50
	CA509/K2	Marking Tag Blank suitable for CDL4U / CDL4U(I.S) / CTL2.5U / CTL2.5UH / CTL2.5UL / CTL2.5HUL / CTL2.5U(L,S) / CTL2.5U(I,S)D2 / CGMT4 / CSFL4U / CSFL4U(L) / CMT4 / CMB4 / ASF4 / ASF4(L) / CTS2.5()	100
	SCS0.5/3	Electricians Screwdriver for slotted screws	10

ACCESSORIES....

IMAGES	CAT. NO.	DESCRIPTION	STD. PACK
	IMACC/G2R2-110VAC	RELAY 2CO 110VAC	10

CIRCUIT DIAGRAM



NOTES

- * Module Lengths mentioned are for RAIL Mounting option only. The lengths may vary for PANEL Mounting.
- ** PANEL Mounting relay modules are available on request. Please use the suffix -P with the cat. no. for ordering.
- ***Module with Other Coil Voltage like 6 VDC, 48 VDC, 24 VAC etc. are available on request.

IMRE2SSFxx/230A/OM



Relay Module 2CO 230VAC (DPDT) With Output Fuse Protection

- Replaceable fuses with simple to operate Horizontal fuse holders
- Fast Blow & Slow Blow fuses available as standard
- Fuse ratings from 0.1 A to 6.3 A available.
- Variety of Operating Voltages.
- Switching Current upto 5 A at 230 VAC (or 30 VDC).
- Low Coil Drive Current(4.7 mA to 100 mA)
- Easy to replace pluggable relays
- possibility of Bussing (Jumpering) relays in common negative or common positive configurations.
- Relay Coil Protection by means of a Freewheeling Diode.
- Red LED indication to denote relay actuation.
- Mounting Options available:DIN Rail mounting & Panel mounting

GENERAL SPECIFICATION

Ambient Operating Temperature	-20 to 50 °C
Bussing Possibility	By using spare jumpers.
Housing Colour	Green
Housing Material	PVC / V0 Grade
Mounting Possibility	DIN32 / DIN35 / DIN35-15 / PANEL
Relay on Indication	3mm Red LED
Relay Protection Method	Using 1N4007 Free Wheeling Diode

FUSE SPECIFICATIONS

Fuse Rating	0.1, 0.5, 0.63, 1, 2, 3, 4, 5, 6, 6.3 A
Fuse Size	5 x 20 mm
Fuse Type	Fast Blow/Slow Blow

CONNECTION SPECIFICATIONS

Type of Connection	Screw Connection
Min. Wire Size	0.5 mm ²
Max. Wire Size	2.5 mm ²
Min. Wire Size(AWG)	30 AWG
Max. Wire Size(AWG)	14 AWG
Wire Stripping Length	8.3 mm
Torque	0.5 Nm
Torque	4.5 lb-in

RELAY GENERAL SPECIFICATIONS

Relay Approvals	UL, CSA, VDE, KEMA KEUR, CE
Relay Make / Manufacturer	OMRON/G2R-2
Relay Type	DPDT - 2CO

RELAY INPUT / COIL SPECIFICATIONS

Nominal Operating Voltage	230 VAC
Coil Resistance	26850
Nominal Input Current	4.7 mA
Must Operate Voltage	184 VAC
Must Release Voltage	69 VAC
Maximum Operating Voltage	253 VAC

Contact Material	AgCdO
Rated Contact Current (Resistive Load)	5 A
Load Voltage Range	380 VAC, 125 VDC
Maximum Operating Frequency	1800 Opr./Hr
Life Expectancy - Mechanical	20,000,000 operations min.
Life Expectancy Electrical	100,000 operations min.

FUSE HOLDER SPECIFICATIONS

Cap Design	Flat
Fuse Size	5 x 20 mm
Mounting type	Horizontal
Rated Current	6.3 A

ORDERING INFORMATION

CAT. NO.	DESCRIPTION	NO. OF CHN.	DIM. DET.	STD. PACK
IMRE2SSF1/12 /OM	2CO 1CH 230VAC Output Fused Relay Module With Base (Pluggable Relay) Rail Mount	1	26 X 120 X 74	1
IMRE2SSF2/23 0A/OM	2CO 2CH 230VAC Output Fused Relay Module With Base (Pluggable Relay) Rail Mount	2	52 X 120 X 74	1


ORDERING INFORMATION....

CAT. NO.	DESCRIPTION	NO. OF CHN.	DIM. DET.	STD. PACK
IMRE2SSF4/23 0A/OM	2CO 4CH 230VAC Output Fused Relay Module With Base (Pluggable Relay) Rail Mount	4	102 X 120 X 74	1
IMRE2SSF8/23 0A/OM	2CO 8CH 230VAC Output Fused Relay Module With Base (Pluggable Relay) Rail Mount	8	190 X 120 X 74	1
IMRE2SSF16/2 30A/OM	2CO 16CH 230VAC Output Fused Relay Module With Base (Pluggable Relay) Rail Mount	16	312 X 120 X 74	1
IMRE2SF1/230 A/OM	2CO 1CH 230VAC Output Fused Relay Module With Soldered Relay Rail Mount	1	26 X 120 X 74	1
IMRE2SF2/230 A/OM	2CO 2CH 230VAC Output Fused Relay Module With Soldered Relay Rail Mount	2	52 X 120 X 74	1
IMRE2SF4/230 A/OM	2CO 4CH 230VAC Output Fused Relay Module With Soldered Relay Rail Mount	4	102 X 120 X 74	1
IMRE2SF8/230 A/OM	2CO 8CH 230VAC Output Fused Relay Module With Soldered Relay Rail Mount	8	190 X 120 X 74	1
IMRE2SF16/23 0A/OM	2CO 16CH 230VAC Output Fused Relay Module With Soldered Relay Rail Mount	16	312 X 120 X 74	1

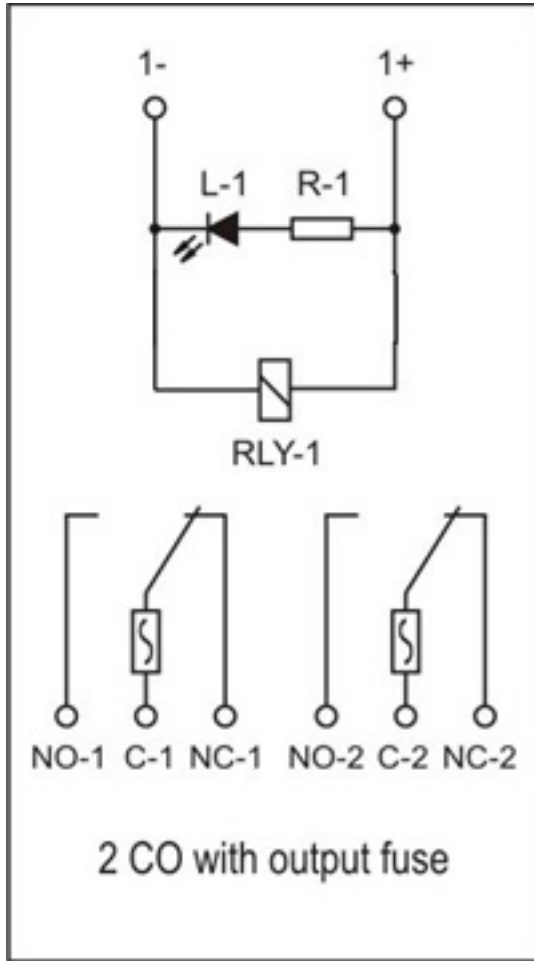
ACCESSORIES

IMAGES	CAT. NO.	DESCRIPTION	STD. PACK
	CA501-1M	Din 32 Rail unslotted 1 meter	50
	CA501-1M-S	Din 32 Rail slotted 1 meter	50
	CA501-2M	Din 32 Rail unslotted 2 meter	50
	CA501-2M-S	Din 32 Rail slotted 2 meter	50
	CA701-1M	Din 35 Rail unslotted 1 meter	50
	CA701-2M	Din 35 Rail unslotted 2 meter	50
	CA701-2M-S	Din 35 Rail slotted 2 meter	50
	CA701-1M-S	Din 35 Rail slotted 1 meter	50
	CA701-15-1M	Din 35 Rail 15 deep unslotted 1 meter	50
	CA701-15-1M-S	Din 35 Rail 15 deep slotted 1 meter	50
	CA701-15-2M	Din 35 Rail 15 deep unslotted 2 meter	50
	CA701-15-2M-S	Din 35 Rail 15 deep slotted 2 meter	50
	CA509/K2	Marking Tag Blank suitable for CDL4U / CDL4U(I.S) / CTL2.5U / CTL2.5UH / CTL2.5UL / CTL2.5HUL / CTL2.5U(I.S) / CTL2.5U(I.S)D2 / CGMT4 / CSFL4U / CSFL4U(L) / CMT4 / CMB4 / ASF4 / ASF4(L) / CTS2.5(100
	SCS0.5/3	Electricians Screwdriver for slotted screws	10

ACCESSORIES....

IMAGES	CAT. NO.	DESCRIPTION	STD. PACK
	IMACC/G2R2-230VAC	RELAY 2CO 230VAC	10

CIRCUIT DIAGRAM



NOTES

- * Module Lengths mentioned are for RAIL Mounting option only. The lengths may vary for PANEL Mounting.
- ** PANEL Mounting relay modules are available on request. Please use the suffix -P with the cat. no. for ordering.
- ***Module with Other Coil Voltage like 6 VDC, 48 VDC, 24 VAC etc. are available on request.

IMMR1SS1/24A



DIN RAIL Mountable 1CO 24VAC Modular Relay Module

- Pitch: 15.6 mm
- High Switching current: up to 8A at 250VAC
- Power consumption: 400 mW
- LED indication on coil activation.
- Easy to replace pluggable relays.
- Available with 1 CO and 2 CO relays
- Available in both AC and DC Coil Voltages.
- Free-wheeling diode protection for relay coil.

GENERAL SPECIFICATION

Ambient Operating Temperature	-40 to 70 °C
Housing Colour	Black
Housing Material	PA66 + GF V0 Grade
Mounting Possibility	DIN 35/DIN 35-15 Rail
Signal on Indication	3mm Red LED

CONNECTION SPECIFICATIONS

Type of Connection	Screw Connection
Max. Wire Size	2.5 mm ²
Wire Stripping Length	7 mm
Torque	0.6 Nm

RELAY GENERAL SPECIFICATIONS

Dielectric Strength	5000VAC
Insulation Resistance	1000 Mohm at 500VDC
Relay Type	Electromechanical Power Relay

RELAY INPUT / COIL SPECIFICATIONS

Nominal Operating Voltage	24 VAC
Coil Resistance	350
Must Operate Voltage	18 VAC
Must Release Voltage	3.6 VAC
Maximum Operating Voltage	26.4 VAC
Nominal Input Power	0.75 VA

RELAY OUTPUT/CONTACT SPECIFICATIONS

Contact Type	1 CO
Contact Material	AgNi
Rated Contact Current (Resistive Load)	12/16 A
Maximum Switching Voltage	440VAC/125 VDC
Maximum Switching Power	3000 VA / 4000 VA for 1CO
Contact Resistance	100 m ohms at 1A 6 VDC
Life Expectancy - Mechanical	1,000,000 OPS
Life Expectancy Electrical	50000 OPS

ORDERING INFORMATION

CAT. NO.	DESCRIPTION	NO. OF CHN.	DIM. DET.	STD. PACK
IMMR1SS1/24A	1CO 24VAC MODULAR RELAY MODULE DIN RAIL MOUNTABLE	10	15.6 X 75 X 62	1

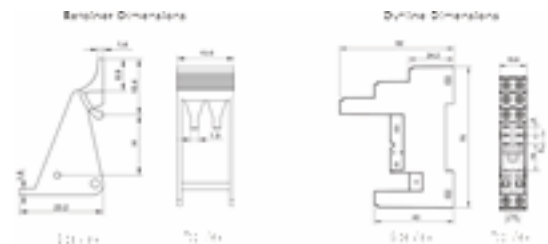
ACCESSORIES

IMAGES	CAT. NO.	DESCRIPTION	STD. PACK
	CA701-1M	Din 35 Rail unslotted 1 meter	50
	CA701-2M	Din 35 Rail unslotted 2 meter	50
	CA701-2M-S	Din 35 Rail slotted 2 meter	50
	CA701-1M-S	Din 35 Rail slotted 1 meter	50
	CA701-15-1M	Din 35 Rail 15 deep unslotted 1 meter	50
	CA701-15-1M-S	Din 35 Rail 15 deep slotted 1 meter	50
	CA701-15-2M	Din 35 Rail 15 deep unslotted 2 meter	50
	CA701-15-2M-S	Din 35 Rail 15 deep slotted 2 meter	50
	CA509/K2	Marking Tag Blank suitable for CDL4U / CDL4U(I,S) / CTL2.5U / CTL2.5UH / CTL2.5UL / CTL2.5HUL / CTL2.5U(I,S) / CTL2.5U(I,S)D2 / CGMT4 / CSFL4U / CSFL4U(L) / CMT4 / CMB4 / ASF4 / ASF4(L) / CTS2.5()	100
	SCS0.5/3	Electricians Screwdriver for slotted screws	10

ACCESSORIES....

IMAGES	CAT. NO.	DESCRIPTION	STD. PACK
	IMACC/MR1S/24A	1CO 24VAC MODULAR RELAY	1

PRODUCT DRAWING



IMRE1SS16/CNC



16 I/O CNC Interface Module

-IMRE1SS16/CNC and IMRE1SS16/CNCSSRx Interface Modules from Connectwell ease PLC wiring in CNC machines.
-These modules provide connection possibility for both the input and output side of a PLC in a single module and are compatible with various PLCs from Fanuc, GE, Mitsubishi, Schneider & Siemens.

GENERAL SPECIFICATION

Ambient Operating Temperature	-20 to +50 °C
Housing Colour	Green
Housing Material	PVC / V0 Grade
Mounting Possibility	DIN32 / DIN35 / DIN35-15 / PANEL
Relay on Indication	3mm Red LED
Relay Protection Method	Using 1N4007 Free Wheeling Diode

CONNECTION SPECIFICATIONS

Type of Connection	Screw Connection
Min. Wire Size	0.5 mm ²
Max. Wire Size	2.5 mm ²
Min. Wire Size(AWG)	30 AWG
Max. Wire Size(AWG)	14 AWG
Wire Stripping Length	8.3 mm
Torque	0.5 Nm
Torque	4.5 lb-in

IDC / FRC CONNECTOR SPECIFICATIONS

Housing Material	PBT,glass reinforced
Contact Material	Brass
Rated Current / Pin	2 A
Contact Resistance	30m ohms maximum
Insulation Resistance	3000M ohms minimum
Dielectric Withstanding Voltage	500VAC for 1 minute
IDC / FRC Connector Approvals	

RELAY GENERAL SPECIFICATIONS

Relay Approvals	UL, CSA, VDE, KEMA KEUR, CE
Relay Make / Manufacturer	OMRON / G2R-1
Relay Type	SPDT

RELAY INPUT / COIL SPECIFICATIONS

Nominal Operating Voltage	24 VDC
Coil Resistance	1100
Nominal Input Current	21.8 mA
Must Operate Voltage	16.8 VDC
Must Release Voltage	3.6 VDC
Maximum Operating Voltage	26.4 VDC

RELAY OUTPUT/CONTACT SPECIFICATIONS

Contact Type	1 CO
Contact Material	AgCdO
Rated Current at 230 VAC	10 A
Rated Current at 30 VDC	10 A
Load Voltage Range	380 VAC / 125 VDC
Maximum Operating Frequency	1800 Opr./Hr
Life Expectancy - Mechanical	20,000,000 operations min.
Life Expectancy Electrical	100,000 operations min.

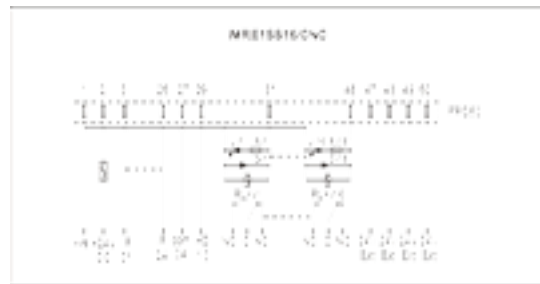
ORDERING INFORMATION

CAT. NO.	DESCRIPTION	NO. OF CHN.	DIM. DET.	STD. PACK
IMRE1SS16/CNC	1CO 16CH 24VDC Relay Board for ease of PLC Wiring in CNC Machine With Base (Pluggable Relay) Rail Mount	16	316 X 120 X 65	1
IMRE1S16/CNC	16CH 24VDC Board for Ease OF PLC Wiring in CNC Machine With Soldered Relay Rail Mount	1	316 X 88 X 65	16

ACCESSORIES

IMAGES	CAT. NO.	DESCRIPTION	STD. PACK
	CA501-1M	Din 32 Rail unslotted 1 meter	50
	CA501-1M-S	Din 32 Rail slotted 1 meter	50
	CA501-2M	Din 32 Rail unslotted 2 meter	50
	CA501-2M-S	Din 32 Rail slotted 2 meter	50
	CA701-1M	Din 35 Rail unslotted 1 meter	50
	CA701-2M	Din 35 Rail unslotted 2 meter	50
	CA701-2M-S	Din 35 Rail slotted 2 meter	50
	CA701-1M-S	Din 35 Rail slotted 1 meter	50
	CA701-15-1M	Din 35 Rail 15 deep unslotted 1 meter	50
	CA701-15-1M-S	Din 35 Rail 15 deep slotted 1 meter	50
	CA701-15-2M	Din 35 Rail 15 deep unslotted 2 meter	50
	CA701-15-2M-S	Din 35 Rail 15 deep slotted 2 meter	50
	CA509/K2	Marking Tag Blank suitable for CDL4U / CDL4U(I,S) / CTL2.5U / CTL2.5UH / CTL2.5UL / CTL2.5HUL / CTL2.5U(I,S) / CTL2.5U(I,S)D2 / CGMT4 / CSFL4U / CSFL4U(L) / CMT4 / CMB4 / ASF4 / ASF4(L) / CTS2.5()	100
	SCS0.5/3	Electricians Screwdriver for slotted screws	10
	IMACC/G2R1/24DC	RELAY 1CO 24VDC	10

CIRCUIT DIAGRAM



NOTES

* Module Lengths mentioned are for RAIL Mounting option only. The lengths may vary for PANEL Mounting.
** PANEL Mounting relay modules are available on request. Please use the suffix -P with the cat. no. for ordering.
*** FRC Cable Available on request. #Module with Other Coil Voltage like 6 VDC, 48 VDC, 24 VAC etc. are available on request.

IMRE1SSF16/CNC



16 I/O CNC Interface Module with Output Fuse Protection

-IMRE1SSF16/CNC and IMRE1SSF16/CNCSSRx Interface Modules from Connectwell ease PLC wiring in CNC machines.
-These modules provide connection possibility for both the input and output side of a PLC in a single module and are compatible with various PLCs from Fanuc, GE, Mitsubishi, Schneider & Siemens.

GENERAL SPECIFICATION

Ambient Operating Temperature	-20 to +50 °C
Housing Colour	Green
Housing Material	PVC / V0 Grade
Mounting Possibility	DIN32 / DIN35 / DIN35-15 / PANEL
Relay on Indication	3mm Red LED
Relay Protection Method	Using 1N4007 Free Wheeling Diode

FUSE SPECIFICATIONS

Fuse Rating	0.1, 0.5, 0.63, 1, 2, 3, 4, 5, 6, 6.3 A
Fuse Size	5 x 20 mm
Fuse Type	Fast Blow , Slow Blow

CONNECTION SPECIFICATIONS

Type of Connection	Screw Connection
Min. Wire Size	0.5 mm ²
Max. Wire Size	2.5 mm ²
Min. Wire Size(AWG)	30 AWG
Max. Wire Size(AWG)	14 AWG
Wire Stripping Length	8.3 mm
Torque	0.5 Nm
Torque	4.5 lb-in

IDC / FRC CONNECTOR SPECIFICATIONS

Housing Material	PBT,glass reinforced
Contact Material	Brass
Rated Current / Pin	2 A
Contact Resistance	30m ohms maximum
Insulation Resistance	3000M ohms minimum
Dielectric Withstanding Voltage	500VAC for 1 minute

IDC / FRC Connector Approvals	
-------------------------------	--

RELAY GENERAL SPECIFICATIONS

Relay Approvals	UL, CSA, VDE, KEMA KEUR, CE
Relay Make / Manufacturer	OMRON / G2R-1
Relay Type	SPDT

RELAY INPUT / COIL SPECIFICATIONS

Nominal Operating Voltage	24 VDC
Coil Resistance	1100
Nominal Input Current	21.8 mA
Must Operate Voltage	16.8 VDC
Must Release Voltage	3.6 VDC
Maximum Operating Voltage	26.4 VDC

RELAY OUTPUT/CONTACT SPECIFICATIONS

Contact Type	1 CO
Contact Material	AgCdO
Rated Current at 230 VAC	10 A
Rated Current at 30 VDC	10 A
Load Voltage Range	380 VAC / 125 VDC
Maximum Operating Frequency	1800 Opr./Hr
Life Expectancy - Mechanical	20,000,000 operations min.
Life Expectancy Electrical	100,000 operations min.

FUSE HOLDER SPECIFICATIONS

Cap Design	Flat
Fuse Size	5 x 20 mm
Mounting type	Horizontal
Rated Current	6.3 A

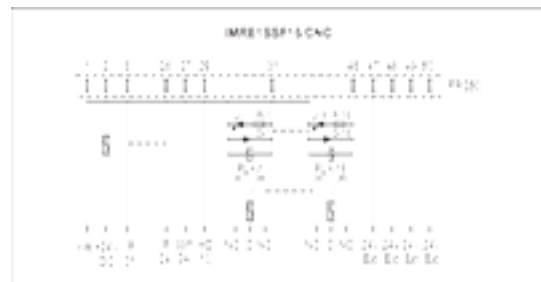
ORDERING INFORMATION

CAT. NO.	DESCRIPTION	NO. OF CHN.	DIM. DET.	STD. PACK
IMRE1SSF16/CNC	1CO 16CH 24VDC Output Fuse protection Relay Board for ease PLC Wiring in CNC Machine With Base (Pluggable Relay) Rail Mount	1	316 X 120 X 65	16
IMRE1SF16/CNC	1CO 16CH 24VDC Output Fuse protection Relay Board for ease OF PLC Wiring in CNC Machine With Soldered Relay Rail Mount	1	316 X 120 X 65	16

ACCESSORIES

IMAGES	CAT. NO.	DESCRIPTION	STD. PACK
	CA501-1M	Din 32 Rail unslotted 1 meter	50
	CA501-1M-S	Din 32 Rail slotted 1 meter	50
	CA501-2M	Din 32 Rail unslotted 2 meter	50
	CA501-2M-S	Din 32 Rail slotted 2 meter	50
	CA701-1M	Din 35 Rail unslotted 1 meter	50
	CA701-2M	Din 35 Rail unslotted 2 meter	50
	CA701-2M-S	Din 35 Rail slotted 2 meter	50
	CA701-1M-S	Din 35 Rail slotted 1 meter	50
	CA701-15-1M	Din 35 Rail 15 deep unslotted 1 meter	50
	CA701-15-1M-S	Din 35 Rail 15 deep slotted 1 meter	50
	CA701-15-2M	Din 35 Rail 15 deep unslotted 2 meter	50
	CA701-15-2M-S	Din 35 Rail 15 deep slotted 2 meter	50
	CA509/K2	Marking Tag Blank suitable for CDL4U / CDL4U(I,S) / CTL2.5U / CTL2.5UH / CTL2.5UL / CTL2.5HUL / CTL2.5U(I,S) / CTL2.5U(I,S)D2 / CGMT4 / CSFL4U / CSFL4U(L) / CMT4 / CMB4 / ASF4 / ASF4(L) / CTS2.5()	100
	SCS0.5/3	Electricians Screwdriver for slotted screws	10
	IMACC/G2R1/24DC	RELAY 1CO 24VDC	10

CIRCUIT DIAGRAM



NOTES

* Module Lengths mentioned are for RAIL Mounting option only. The lengths may vary for PANEL Mounting.
** PANEL Mounting relay modules are available on request. Please use the suffix -P with the cat. no. for ordering.
*** FRC Cable Available on request. #Module with Other Coil Voltage like 6 VDC, 48 VDC, 24 VAC etc. are available on request.

IMRE/DI16/24/DM37



16 CH Digital Input (DI) Relay Interface Module

-These modules act as input module for PLCs or other digital controllers.
 - The digital input (DI) module provide isolation between two wire field sensor and the input of controllers like PLC. In addition the connection between the digital input module and PLC is through a convenient DSUB connector.
 -This module has an added safety feature of Glass fuse. The power terminal on the module helps to provide power signal to either the load or the sensor.
 -In addition to the DSUB connector, standard PCB terminal blocks are also provided for connecting the input signals

GENERAL SPECIFICATION

Ambient Operating Temperature	-20 to +50 °C
Housing Colour	Green
Housing Material	PVC / V0 Grade
Mounting Possibility	DIN32 / DIN35 / DIN35-15 / PANEL
Rated Current/Channel	33 vcvb A
Relay on Indication	3mm Red LED
Relay Protection Method	Using 1N4007 Free Wheeling Diode
Supply Voltage Indication	3mm Green LED

FUSE SPECIFICATIONS

Fuse Rating	0.1, 0.5, 0.63, 1, 2, 3, 4, 5, 6, 6.3 A
Fuse Size	5 x 20 mm
Fuse Type	Fast Blow , Slow Blow

CONNECTION SPECIFICATIONS

Type of Connection	Screw Connection
Min. Wire Size	0.5 mm ²
Max. Wire Size	2.5 mm ²
Min. Wire Size(AWG)	30 AWG
Max. Wire Size(AWG)	14 AWG
Wire Stripping Length	8.3 mm
Torque	0.5 Nm
Torque	4.5 lb-in

DSUB CONNECTOR SPECIFICATIONS

Contact Material	Brass
Contact Resistance	15 m ohms maximum at 500 VDC
Dielectric Withstanding Voltage	1000VAC for one Minute
Housing Material (Insulator)	PBT, Rated UL94V-0
Housing Material (Shell)	Steel
Rated Current / Pin	3 A
Rivet / Board Lock Material	Copper Alloy

RELAY GENERAL SPECIFICATIONS

Relay Approvals	UL, CSA, VDE, KEMA KEUR, CE
Relay Make / Manufacturer	OMRON / G2R-1
Relay Type	SPDT

RELAY INPUT / COIL SPECIFICATIONS

Nominal Operating Voltage	24 VDC
Coil Resistance	1100
Nominal Input Current	21.8 mA
Must Operate Voltage	16.8 VDC
Must Release Voltage	3.6 VDC
Maximum Operating Voltage	26.4 VDC

RELAY OUTPUT/CONTACT SPECIFICATIONS

Contact Type	1 CO
Contact Material	AgCdO
Rated Current at 230 VAC	10 A
Rated Current at 30 VDC	10 A
Load Voltage Range	380 VAC / 125 VDC
Maximum Operating Frequency	18000 Opr./Hr (Mechanical)
Life Expectancy - Mechanical	200,000,000 operations min. for DC coil & 10,000,000 operations min. for AC coil
Life Expectancy Electrical	100,000 operations min.

FUSE HOLDER SPECIFICATIONS

Cap Design	Flat
Fuse Size	5 x 20 mm
Mounting type	Horizontal
Rated Current	6.3 A

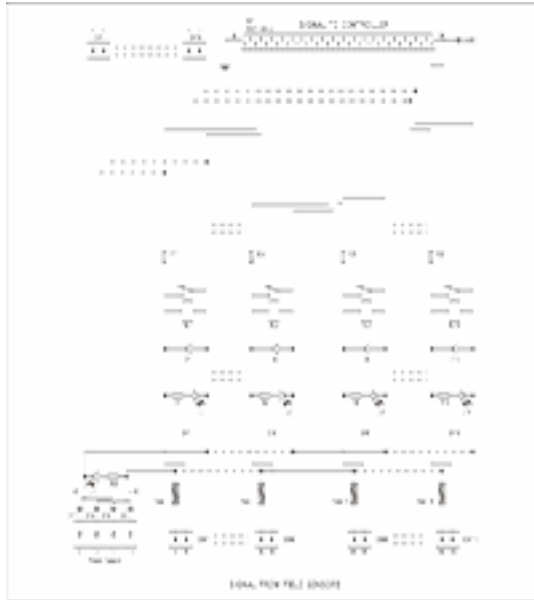
ORDERING INFORMATION

CAT. NO.	DESCRIPTION	NO. OF CHN.	DIM. DET.	STD. PACK
IMRE/DI16/24/DM37	16CH 1CO 24VDC Digital Input (DI) Relay Board for Connecting input signal.	1	15.6 X 75 X 62	10

ACCESSORIES

IMAGES	CAT. NO.	DESCRIPTION	STD. PACK
	CA501-1M	Din 32 Rail unslotted 1 meter	50
	CA501-1M-S	Din 32 Rail slotted 1 meter	50
	CA501-2M	Din 32 Rail unslotted 2 meter	50
	CA501-2M-S	Din 32 Rail slotted 2 meter	50
	CA701-1M	Din 35 Rail unslotted 1 meter	50
	CA701-2M	Din 35 Rail unslotted 2 meter	50
	CA701-2M-S	Din 35 Rail slotted 2 meter	50
	CA701-1M-S	Din 35 Rail slotted 1 meter	50
	CA701-15-1M	Din 35 Rail 15 deep unslotted 1 meter	50
	CA701-15-1M-S	Din 35 Rail 15 deep slotted 1 meter	50
	CA701-15-2M	Din 35 Rail 15 deep unslotted 2 meter	50
	CA701-15-2M-S	Din 35 Rail 15 deep slotted 2 meter	50
	CA509/K2	Marking Tag Blank suitable for CDL4U / CDL4U(I.S) / CTL2.5U / CTL2.5UH / CTL2.5UL / CTL2.5HUL / CTL2.5U(I.S) / CTL2.5U(I.S)D2 / CGMT4 / CSFL4U / CSFL4U(L) / CMT4 / CMB4 / ASF4 / ASF4(L) / CTS2.5	100
	SCS0.5/3	Electricians Screwdriver for slotted screws	10
	IMACC/G2R1/24DC	RELAY 1CO 24VDC	10

CIRCUIT DIAGRAM



NOTES

- * Module Lengths mentioned are for RAIL Mounting option only. The lengths may vary for PANEL Mounting.
- ** PANEL Mounting relay modules are available on request. Please use the suffix -P with the cat. no. for ordering.
- *** DSUB Cable Available on request. #Module with Other Coil Voltage like 6 VDC, 48 VDC, 24 VAC etc. are available on request.

IMRE1O2/24/OEN-530



1NO 2CH 24VDC 70Amp Heavy Duty Relay Card

- Switching Current upto 70Amp
- LED Indication to denote relay actuation.
- Relay Coil protection by means of a Freewheeling Diode.
- Mounting Options available: DIN Rail mounting & Panel Mounting. -High Performance.
- 9.5mm Flat contact terminal
- Dual contactor.

GENERAL SPECIFICATION

Ambient Operating Temperature	-20 to 50 °C
Housing Colour	Green
Housing Material	PVC / V0 Grade
Mounting Possibility	DIN32 / DIN35 / DIN35-15 / PANEL
Relay Protection Method	Using 1N4007 Free Wheeling Diode
Signal on Indication	3mm Green LED

CONNECTION SPECIFICATIONS

Type of Connection	Screw Connection
Min. Wire Size	30 AWG
Max. Wire Size	14 AWG
Min. Wire Size(AWG)	8.3 mm ²
Max. Wire Size(AWG)	0.5 mm ²
Wire Stripping Length	4.5 mm

RELAY GENERAL SPECIFICATIONS

Dielectric Strength	500 Vrms
Insulation Resistance	100 M ohm Min at 500 VDC
Relay Make / Manufacturer	OEN
Relay Type	1 NO

RELAY INPUT / COIL SPECIFICATIONS

Nominal Operating Voltage	3.6 V
Coil Resistance	18
Nominal Input Current	3.6 A
Must Operate Voltage	26.4 VDC
Maximum Input Current	1.92 A
Nominal Input Power	1.92 W

RELAY OUTPUT/CONTACT SPECIFICATIONS

Contact Type	1NO
Contact Material	AgNi
Rated Contact Current (Resistive Load)	70 A
Turn-On Time (0 Cross Turn On)	15 µS
Turn-Off Time	15 µS
Life Expectancy - Mechanical	1,000,000 operations min.
Life Expectancy Electrical	100,000 operations min.

ORDERING INFORMATION

CAT. NO.	DESCRIPTION	NO. OF CHN.	DIM. DET.	STD. PACK
IMRE1O2/24/O EN-530	1NO 2CH 24VDC 100Amp Heavy Duty Relay Module Rail Mount	16	78 X 120 x 67	1
IMRE1O2/12/O EN-530	1NO 2CH 12VDC 100Amp Heavy Duty Relay Module Rail Mount	16	78 X 120 x 67	1

ACCESSORIES

IMAGES	CAT. NO.	DESCRIPTION	STD. PACK
	CA501-1M	Din 32 Rail unslotted 1 meter	50
	CA501-1M-S	Din 32 Rail slotted 1 meter	50
	CA501-2M	Din 32 Rail unslotted 2 meter	50
	CA501-2M-S	Din 32 Rail slotted 2 meter	50
	CA701-1M	Din 35 Rail unslotted 1 meter	50
	CA701-2M	Din 35 Rail unslotted 2 meter	50
	CA701-2M-S	Din 35 Rail slotted 2 meter	50
	CA701-1M-S	Din 35 Rail slotted 1 meter	50

ACCESSORIES....

IMAGES	CAT. NO.	DESCRIPTION	STD. PACK
	CA701-15-1M	Din 35 Rail 15 deep unslotted 1 meter	50
	CA701-15-1M-S	Din 35 Rail 15 deep slotted 1 meter	50
	CA701-15-2M	Din 35 Rail 15 deep unslotted 2 meter	50
	CA701-15-2M-S	Din 35 Rail 15 deep slotted 2 meter	50

NOTES

- *Module Lengths mentioned are for RAIL Mounting option only. The lengths may vary for PANEL Mounting.
- ** PANEL Mounting relay modules are available on request. Please use the suffix -P with the cat. no. for ordering.
- ***can used in heavy vibrating conditions